



Cedar Shake &  
Shingle Bureau

# New Roof Construction M A N U A L



# INTRODUCTION

## New Roof Construction Manual

*This manual is intended for use with Western Red Cedar and Alaskan Yellow Cedar shake and shingle application only. Western Red Cedar and Yellow Cedar products manufactured by CSSB members are labeled with the "Certi" brand name. The species is indicated by either "Yellow" or "Red" Cedar at the top of the label. For ease of reference this manual refers to "Certi-label™ Western Cedar" and the term is understood to include both Western Red Cedar and Alaskan Yellow Cedar products manufactured by CSSB members.*

Material for this manual has been compiled from various authoritative sources, and many of the construction methods shown herein have been developed by the shake and shingle specialists in both the United States and Canada. The design and application details and methods of construction reflect current good building practice. Other options are possible but ensure that you check with your local code jurisdiction for approval.

**The information in this manual is not intended to supersede local building codes.**

## Cedar Shake & Shingle Bureau History

On June 9, 1915, at a meeting of the Trustees of the West Coast Lumber Manufacturers Association, it was agreed to establish a branch of the association to serve those members who manufactured shingles. Our influence grew, and as we survived both the Great Depression and World War II, manufacturers continued their quality commitment. In 1963 the organization merged with the Handsplit Shake Bureau to become the Red Cedar Shingle & Handsplit Shake Bureau.

Manufacturers' product lines continued to broaden and, in 1988, the members changed the organization's name to the Cedar Shake & Shingle Bureau. In the late 1980s, mill quality control inspections were subcontracted to independent, third party quality control agencies.

Each year the Cedar Shake & Shingle Bureau's staff answer thousands of technical questions and product selection queries. Our proud history, quality reputation and dedicated members provide excellent Certi-label™ cedar shake and shingle roofing and siding products.

## Certi-label™ Products

Cedar shakes and shingles manufactured by members of the Cedar Shake & Shingle Bureau ("CSSB") are the only products labeled with the "Certi" brand name. Certi-label cedar shakes and shingles are made by experienced craftsmen who take pride in their trade and the quality of their product. Despite their varying sizes and sometimes remote locations, member mills are bound together by a rigid quality code. Unannounced independent inspections conducted by accredited third party agencies ensure that product quality is maintained. Products are inspected to conform with various local, national and international codes and standards (contact the CSSB for specific details).

Each bundle of product has the mill's distinctive Certi-label tucked under the bundle strap. Asking for "the blue label" or "number one blue label" is not specific enough: CSSB members' products are the only ones with the Certi brand name on the label.

## Approved Installer Guidelines

Good workmanship is crucial to the integrity of any roofing system. Installers should read this manual carefully and ensure that they follow proper workmanship practices. CSSB Approved Installers agree to follow the guidelines in this manual, or local code regulations, if stricter than the guidelines contained in this manual.

## Product Warranty

The CSSB administers a product warranty for Certi-label product applications performed by an Approved Installer. Warrantied Certi-label products include ONLY Premium Grade and Number 1 Grade materials.

**Note: This manual replaces all previous merric versions of the "Cedar Shake and Shingle Bureau Design and Application Manual for New Roof Construction."**

## CONTENTS

|                                      |             |
|--------------------------------------|-------------|
| Certi-label Products                 | pages 1-2   |
| General Design & Application Details | pages 3-5   |
| Mansard Roof Details                 | page 6      |
| Low Slope Roof Details               | page 7      |
| Hip & Ridge Details                  | page 7      |
| Roof Juncture Details                | pages 8-9   |
| Roof Valley Flashing Details         | pages 9-10  |
| Roof Projection Flashing Details     | page 11     |
| Roof Fastener Guidelines             | page 12     |
| Ventilation Details                  | pages 13-14 |
| Specialty Roof Deck Details          | pages 15-16 |
| Cold Roof System Details             | pages 17-18 |
| High Humidity Area Details           | page 19     |
| Coverage & Exposure Tables           | page 20     |
| Care & Maintenance Overview          | pages 21-22 |
| Specification Guidelines             | pages 23-24 |
| How to Read a Certi-label            | page 25     |

Cover House Photo:  
Architect: Shope Reno Wharton  
Photo: Robert Benson

Cover Product Photo: John Gordon

## CERTI-LABEL CEDAR SHAKES

### Certi-Split® Handsplit Shakes



These shakes have split faces and sawn backs. Cedar logs are first cut into desired lengths. Blanks or boards of proper thickness are split and then run diagonally through a bandsaw to produce two tapered shakes from each blank. Available in Premium Grade (100% edge grain) or Number 1 Grade (Up to 20% flat grain allowed in each bundle).

### Certi-Sawn® Tapersawn Shakes



These shakes are sawn both sides. Premium and Number 1 Grades are the most common. Premium Grade is 100% edge grain, 100% clear and 100% heartwood. Number 1 Grade allows up to 20% flat grain in each bundle. Number 2 and 3 Grades are also available.

### Certi-Split® Tapersplit



Produced by hand, using a sharp bladed steel froe and a mallet. The natural shingle-like taper is achieved by reversing the block, end-for-end, with each split. Premium Grade only. (100% edge grain)

### Certi-Split® Straight-Split



Produced by machine or in the same manner as tapersplit shakes except that by splitting from the same end of the block, the shakes acquire the same thickness throughout. Premium Grade only. (100% edge grain)

## CERTIGRADE® CEDAR SHINGLES

### Number 1 Blue Label®



The premium grade of shingles for roofs and sidewalls. These top-grade shingles are 100% heartwood, 100% clear and 100% edge grain. Available in 406mm or 457mm or 610mm lengths.

### Number 2 Red Label



A good grade for many applications. Not less than 254mm clear on 406mm shingles, 279mm clear on 457mm shingles and 406mm clear on 610mm shingles. Flat grain and limited sapwood are permitted in this grade.

### Number 3 Black Label



A utility grade for economy applications and secondary buildings. Not less than 152mm clear on 406mm and 457mm shingles, 254mm clear on 610mm shingles.

### Number 4 Undercoursing



A utility grade for undercoursing of double coursed sidewalls only. Not a roofing material and not to be used as a starter course for roofs.



**CERTI-GUARD®**PRESSURE-TREATED FIRE-RETARDANT SHAKES & SHINGLES  
CEDAR SHAKE & SHINGLE BUREAU**CERTI-GUARD®**PRESSURE-TREATED FIRE-RETARDANT SHAKES & SHINGLES  
CEDAR SHAKE & SHINGLE BUREAU**CERTI-LAST®**PRESERVATIVE TREATED CEDAR SHAKES & SHINGLES  
CEDAR SHAKE & SHINGLE BUREAU**Pressure-Impregnated Treated Products**

Certi-label products can also be treated. Products are available either fire-retardant-treated OR preservative-treated. Special care must be taken to follow the treatment company's recommended installation instructions.

**Certi-Guard® Fire-Retardant Treated Cedar Shakes and Shingles**

Premium and Number 1 Grades of Certi-Split shakes, Certi-Sawn shakes, and Number 1 Grades of Certigrade shingles are available pressure-impregnated with fire retardants. Certi-Guard products may be used for Class A, B and C roof systems. Contact the treatment company for treatment warranty information, accessory product requirements (including recommended fastener types) and application details for treated cedar material. Local code jurisdictions have additional information regarding applications in specific areas.

**Certi-Last® Preservative-Treated Cedar Shakes and Shingles**

Premium and Number 1 Grades of Certi-Split shakes, Certi-Sawn shakes, and Number 1 Grades of Certigrade shingles are available preservative-treated by pressure processes. This product is ideal in areas of high humidity. Specify the Certi-Last treating label for this extra protection. Contact the treatment company for treatment warranty information, accessory product requirements (including recommended fastener types) and application details for treated cedar material.

**Note:** Cedar's natural color varies as shown in these examples, yet without applying a paint or stain it will all weather to a beautiful gray.

**Roof Application Quick Reference Guide**

- Be sure that felt interlay paper on shakes does not extend below a line that is twice the exposure above the butt (i.e. a 610mm shake at 254mm, exposure would have felt applied 508mm above the butt).
- Never interlay shingles with felt.
- Keyways must not be aligned and must be a minimum 38mm offset from the course above.
- DO NOT drive nail heads or staple crowns below wood surface.
- Overdriving or underdriving the fasteners can seriously damage the integrity of your roofing system.



Photo: Celia Pearson

## Sheathing

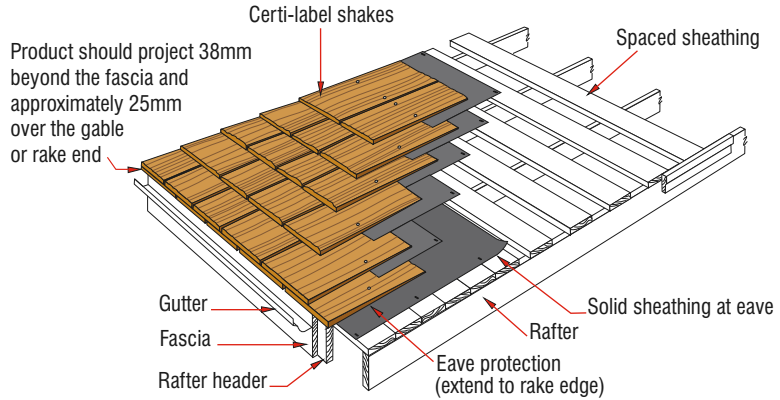
Shakes and shingles may be applied over spaced sheathing. Spaced sheathing is usually 19mm x 89mm or 19mm x 140mm softwood boards and shall not be less than 19mm x 89mm boards.

Solid sheathing is recommended for shakes and may be required in seismic regions or under treated shakes and shingles. Solid sheathing is used in areas with wind-driven snow. Please note that the only solid sheet sheathing tested with Certi-label shakes and shingles is plywood. Check with your local building official for plywood thickness/dimensions. Eave protection is used on the edge where 914mm felt underlay is used and should extend up at least 610mm beyond the exterior wall but it is not meant to cover the entire roof.

## Staggered Butt Applications

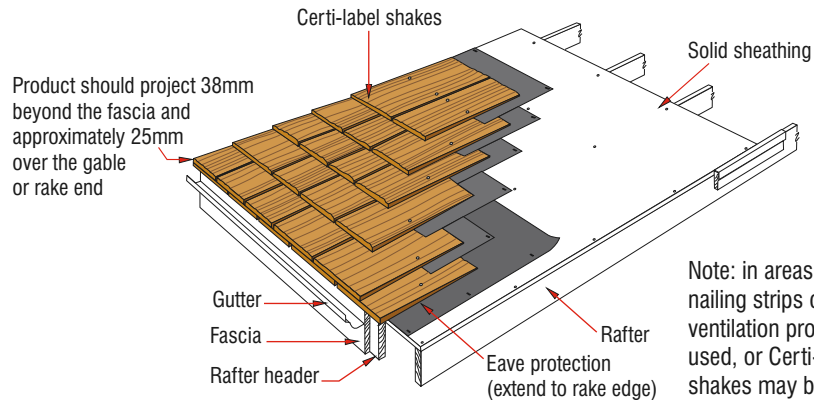
Staggered butt applications are made by shortening the exposure less than the greater maximum exposure. No shakes or shingles shall be applied greater than the maximum exposure allowed. Check with local building codes for approval of this installation method.

**Note:** Do not cover the entire deck with non-permeable underlayment. See CSSB technical bulletin "Asphalt-Saturated Organic Felt".



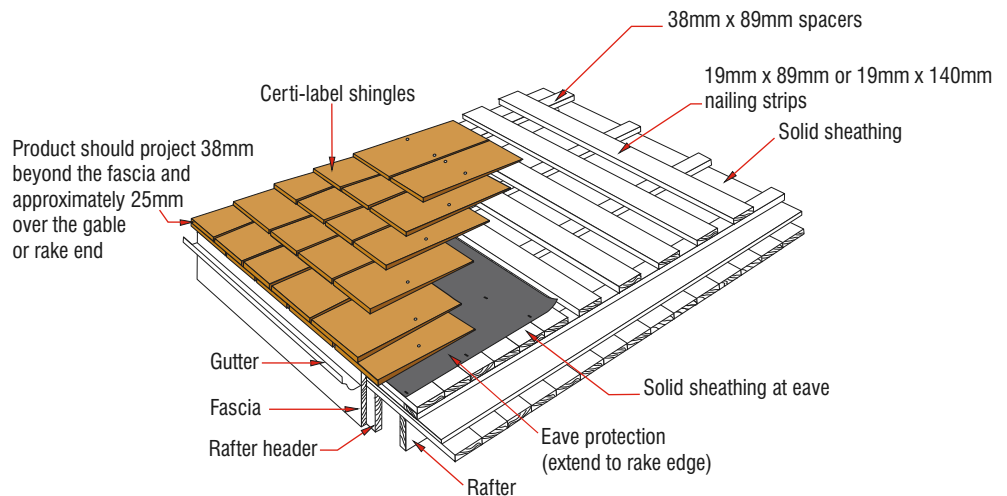
**Figure 1: Spaced Sheathing**

For applications using varied exposures, the center of the sheathing board should be equal to the distance of the exposure.



Note: in areas of high humidity, nailing strips or a continuous ventilation product may be used, or Certi-Last treated shakes may be applied directly to the deck.

**Figure 2: Solid Sheathing**



**Figure 3: Spaced Over Solid Combination Sheathing**

This is the preferred system for shingle application, in areas with high humidity or where additional ventilation is required. When using Certi-Last products, they may be applied directly to the deck.



## Certi-label Shakes

A solid deck is recommended in seismic activity, hurricane and tornado regions and in areas where wind-driven snow is encountered. Roofing felt system interlay between the shake courses is required whether the sheathing is spaced or solid. The felt interlay acts as a baffle that prevents wind-driven snow or other foreign material from entering the attic cavity during extreme weather conditions. The felt interlays also increase the roof's insulation value. The felt interlay system forces water to the surface.

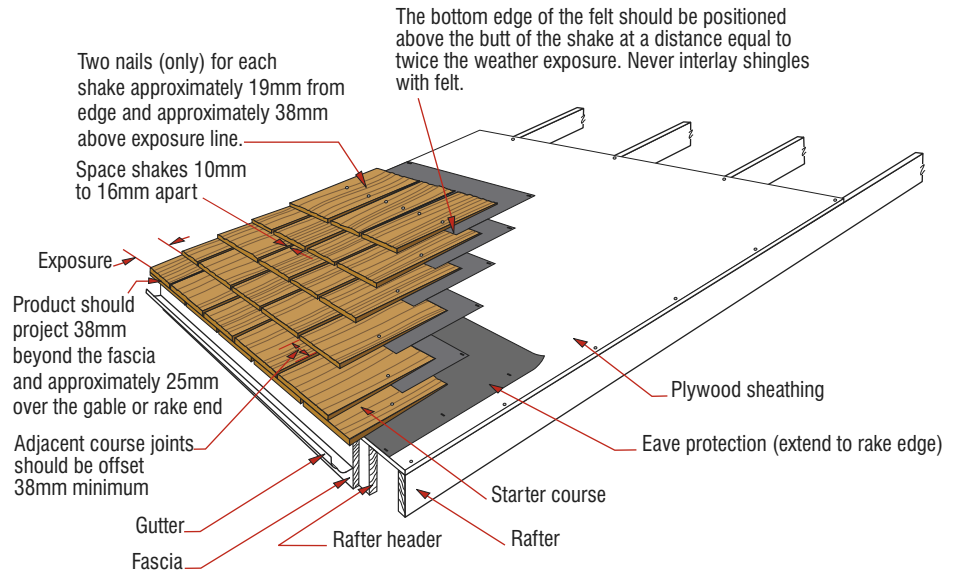
If spaced sheathing is used in shake application, the sheathing is usually 19mm x 140mm boards spaced on centers equal to the weather exposure, (Table 4, Page 20) at which the shakes are to be laid - but never more than 190mm for 457mm shakes and 254mm for 610mm shakes on roof installations. When 19mm x 89mm spaced sheathing is installed at 254mm on center, additional 19mm x 89mm boards must be installed (i.e. maximum allowable spacing is approximately 89mm measured from edge to edge between the sheathing boards). Please note that the only solid sheet sheathing tested with Certi-label™ shakes & shingles is plywood. Check with your local building official for plywood thickness/dimensions.

Special care should be taken when installing the felt interlays over spaced sheathing to ensure that an effective baffle is formed (Figure 1). The felt should be applied over the top portion of the shakes and extend on to the spaced sheathing so that the bottom edge of the felt is positioned at a distance above the butt equal to twice the weather exposure.

## Certi-label Shake Application

Shakes, like shingles, are normally applied in straight, single courses. The following application details (Figure 4) must be observed.

1. The starter course may be one or two layers of cedar shingles or shakes overlaid with the desired shake. A 380mm shake is made expressly for starter and finish courses.
2. Butts of first course shakes should project 38mm beyond the fascia and approximately 25mm over the gable or rake end.



**Figure 4: Certi-label Shake Application**

3. The CSSB recommends using a 457mm wide strip of No. 30 ASTM D226 Type II or No. 30 ASTM D4869 Type IV roofing felt laid over the top portion of shakes and extending on to the sheathing. (Check with your local building official for exact specifications in your area). The bottom edge of the felt should be positioned above the butt of the shake at a distance equal to twice the weather exposure. For example, 610mm shakes, felt extends up 356mm onto the sheathing forcing water to the surface.
4. Spacing between adjacent shakes should be a minimum of 10mm and a maximum of 16mm.
5. Shakes shall be laid with a side lap of not less than 38mm between joints in adjacent courses.
6. Straight-split shakes should be laid with the froe-end (the end from which the shake has been split and which is smoother) towards the ridge.

### Notes:

See page 19 for high humidity areas.

Currently the only acceptable solid sheathing product tested for use with Certi-label shakes is plywood.



Architect: Shope Reno Wharton, Photo: Robert Benson

**Certi-label Shingles**

There are two acceptable methods for application of spaced sheathing: One is to space 19mm x 140mm boards to coincide with the weather exposure (Table 2, Page 20) of the shingles (Figure 5). Thus, if the shingles are to be laid at 140mm to the weather, the sheathing boards would also be spaced at 140mm on center. In this method of application each shingle is nailed to the center of the 19mm x 140mm board. With 190mm weather exposures, the center of the sheathing board shall equal the distance of the weather exposure. Alternatively, although not commonly used, a permeable underlayment (i.e. breathable), such as roofing felt, may be applied over either solid or spaced sheathing. Check with your local building official for their preference in your area.

Please note that the only solid sheathing product tested for use with Certi-label shakes and shingles is plywood. Check with your local building official for plywood thickness/dimensions.

For 18° slope and steeper, use Number 1 Grade shingles at 127mm, 140mm and 190mm exposures for 406mm, 457mm and 610mm shingles respectively. For lower roof slopes and lower product grades use reduced exposures (See Page 20)

Two nails (only) for each shingle approximately 19mm from edge and approximately 38mm above exposure line.

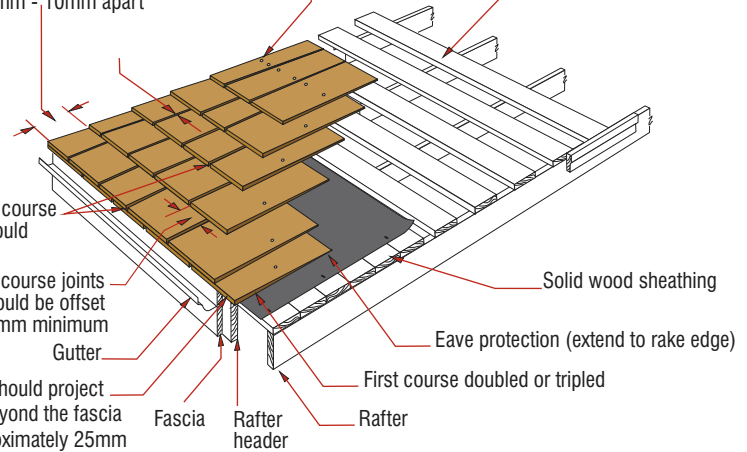
Spaced sheathing should be 19mm x 89mm or 19mm x 140mm

Space shingles 6mm - 10mm apart

Alternate course joints should not align

Adjacent course joints should be offset 38mm minimum

Product should project 38mm beyond the fascia and approximately 25mm over the gable or rake end

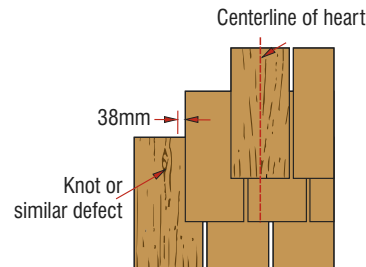


**Figure 5: Certi-label Shingle Application**

**Certi-label Shingle Application**

Regardless of style, the following basic application details (Figure 5) must be observed.

1. Shingles must be doubled or tripled at all eaves.
2. Butts of first course shingles should project 38mm beyond the fascia and approximately 25mm over the gable or rake end.
3. Spacing between adjacent shingles (joints) should be a minimum of 6mm and a maximum of 10mm.
4. Certi-label shingles shall be laid with a side lap not less than 38mm between joints in adjacent courses, and not more than 10% shall be in direct alignment in alternate courses. Check with your local building official in your area.
5. In lesser grade shingles (Figure 5a) containing both flat and vertical grain, joints should not be aligned with centerline of heart.
6. Flat grain shingles wider than 203mm should be split in two before nailing. Knots and similar defects should be treated as the edge of the shingle and the joint in the course above placed 38mm from the edge of the defect.



**Figure 5a: Course Alignment**



Architect: Gaylord Grainger, Libby O'Brien-Smith Architects, Photo: Eduardo Calderon



The mansard is particularly well suited to renovation work on pitched roof houses because the upper story can be enlarged without adding extra height to the structure.

The low downward slope of the mansard roof line acts visually to reduce the scale of a building and helps to eliminate a boxy appearance. This technique is used frequently on large commercial projects, particularly those near residential neighborhoods. It is also a common solution to the problem of avoiding a monotonous appearance on flat-roofed frame apartment buildings.

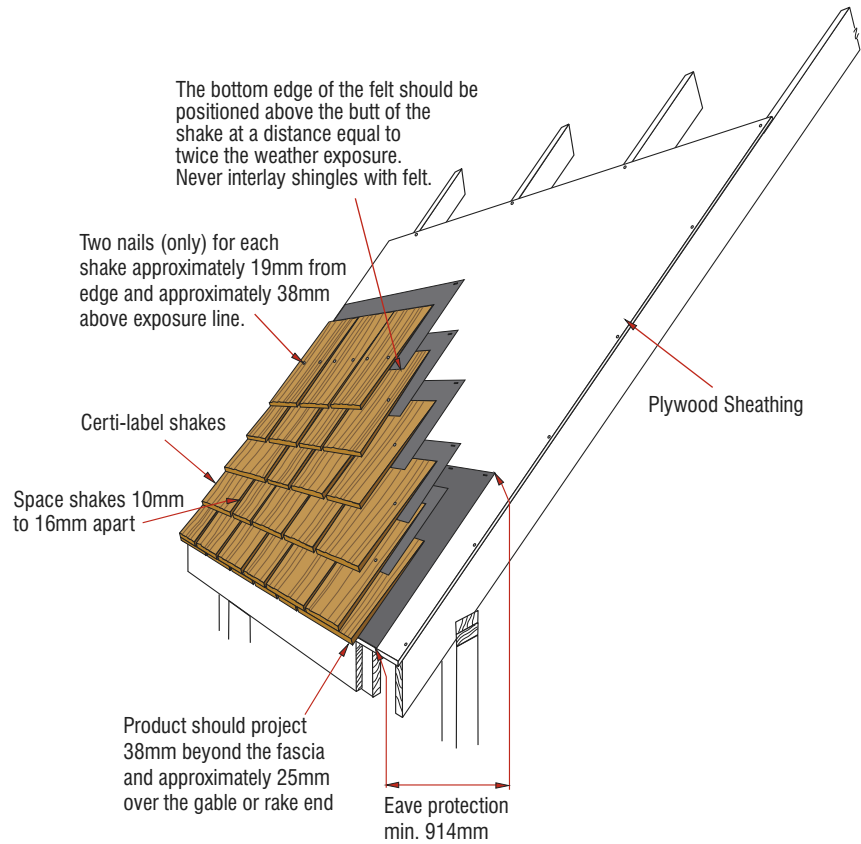
Properly used, a mansard roof can strengthen the design without substantially increasing construction costs. If raised up above the level of a built-up roof the mansard can screen out roof penetrations or mechanical equipment.

The variety of mansard roofs is practically infinite. One of the most widely used (and misused) roof designs, its proportions and scale are very important and care should be taken to avoid a mansard roof line that is either too skimpy or too generous.

Two of the most widely used roofing materials on the mansard roof are Certi-label cedar shakes and shingles. Cedar shakes, with their heavier texture and solid appearance, are perhaps more frequently specified for mansards although shingles are also used, particularly when a lighter scale is desired.

The light weight and ease of application of Certi-label shakes and shingles contribute substantially to economical construction.

Construction details for typical mansard roofs are shown in Figure 6.



**Figure 6: Mansard Roof**



Photo: Murray Levin



The minimum roof slope on which Certi-label shakes are recommended is 18° and for Certi-label shingles, 14°. It is possible, however, to apply Certi-label shakes or shingles successfully to solid sheathed roofs of lower slope providing a special method of application is followed (such as Figure 7), however shingles must be applied at a reduced exposure (page 20). Never interlay shingles with felt. The prescribed method provides a double roof on which the Certi-label shakes or shingles are applied to a lattice-like framework embedded in a bituminous surface coating.

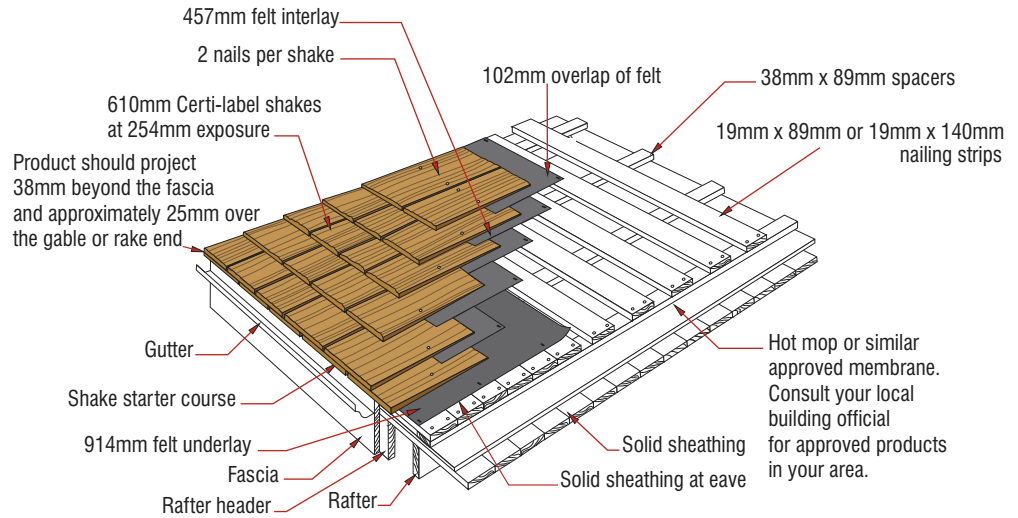
A hot mop or similar approved membrane should be applied over the roof deck. Consult your local building official for approved products in your area. With the final hot-mop application 38mm x 89mm spacers of Western Red Cedar or preservative treated lumber are embedded in the bituminous coating. These spacers are installed over the rafters and extend from eave to ridge. Check with your local building official for their preference in your area.

Next, 19mm x 89mm or 19mm x 140mm nailing strips, spaced according to the weather exposure selected for the Certi-label shakes or shingles, should be nailed across the spacers to form a lattice-like nailing base. For example, if 610mm shakes are to be installed at a weather exposure of 254mm, the nailing strips would also be spaced at 254mm on centers. When 19mm x 89mm spaced sheathing is installed at 254mm on center, additional 19mm x 89mm boards must be installed.

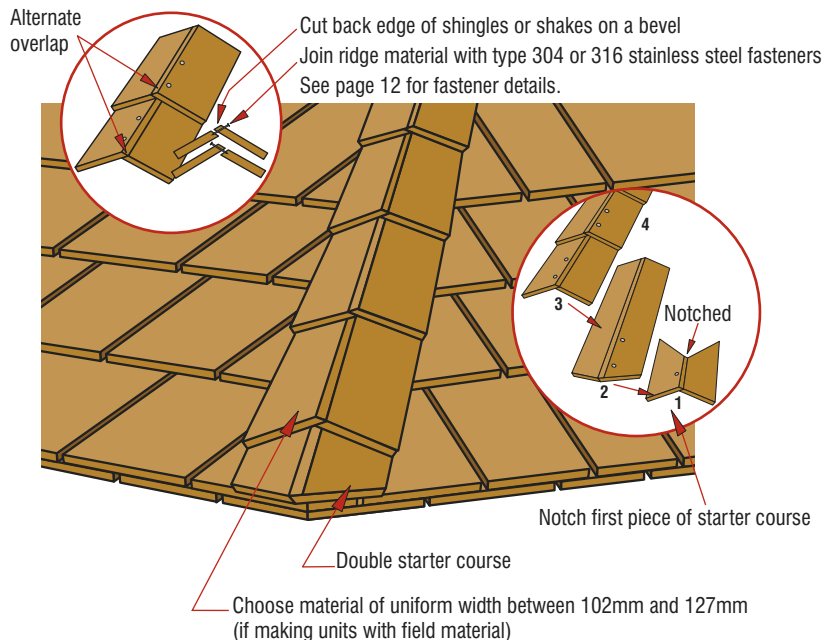
Finally, the Certi-label shakes or shingles are applied in the normal manner with a starter course at the eave and felt interlay between each course of shakes (Figure 7).

**Certi-label Hip And Ridge Details**

Intersecting roof surfaces at hips and ridges should be capped to ensure a weather-tight joint. Site-made or factory-assembled hip and ridge units may be used, but both types must have alternate overlaps and concealed nailing (Figure 8). When ridge cap and field product are the same length and grade, the weather exposure of the ridge cap should be the same exposure as the field product of the roof. Nails must be longer than those used on the field of the roof and of sufficient length to penetrate 19mm into or completely through the sheathing. Install a strip of felt, eave protection material or metal over hip or ridge under the ridge or hip cap. If longer or shorter ridge cap is used, adjust exposure accordingly.

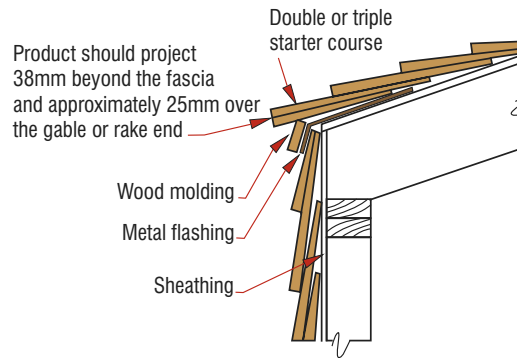


**Figure 7: Certi-label Shake Application to Low Slope Roofs**



**Figure 8: Certi-label Hip and Ridge Application**

Correct construction of roof junctures and slope transitions is vital to ensure the integrity of the roof system. In the following cases, where metal flashing is employed, it should be no less than 0.55mm galvanized steel or acceptable equivalent. Check with your local building official for their preference in your area. It should be painted on both sides with a good metal or bituminous paint. Flashing materials should be painted after bending to maintain the integrity of the coating.



**Figure 9: Convex Roof Juncture**

### Convex Juncture

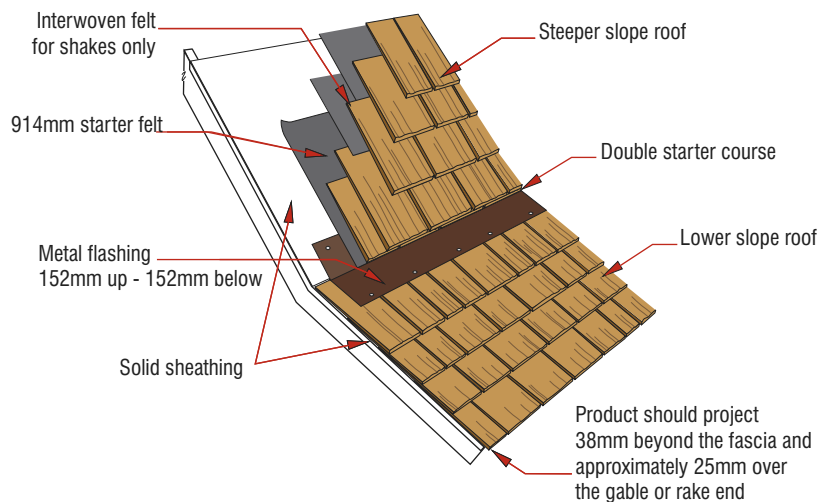
On this type of juncture (Figure 9) metal flashings should be installed to cover the top 102mm of the wall and the bottom 203mm of the roof slope before the final course of Certi-label shakes or shingles is nailed to the top of the wall. A strip of wood molding can be applied after final wall course is installed. A double or triple starter course is then applied at the eave, with a 38mm overhang over the outside wall trim. The roof can then be completed in the normal manner.

### Concave Juncture

Metal flashings for the concave juncture are similar to those for the convex type. They should be installed to cover the top of the roof slope and the bottom 102mm of the wall before the final course of Certi-label shakes or shingles is installed. The final roof course should be installed so that the tips fit as snugly as possible against the wall at the juncture. A double starter course should be applied at the start of the wall surface and the remaining wall courses applied in the recommended manner. If nails are not acceptable through exposed metal, metal clips can be used to hold down the flashing.

### Roof Transitions

Roof transitions (Figure 10) require appropriate flashing, felt and product application. Changes in roof slope should be detailed in a similar manner as concave junctures, to ensure the integrity of the roof system. Solid sheathing is required above and below the change in slope, metal flashing is required across the change in slope, and a 914mm strip of starter felt is required on the upper slope, installed in the same fashion as at the eaves.



**Figure 10 Low Slope to Steep Slope Roof Transition Detail - Certi-label shakes**

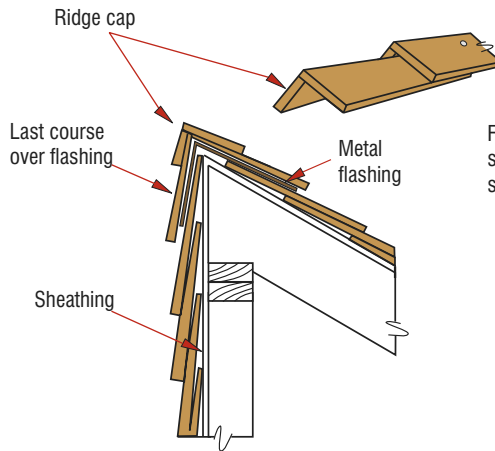
(Certigrade shingle application is similar but without felt interlay)



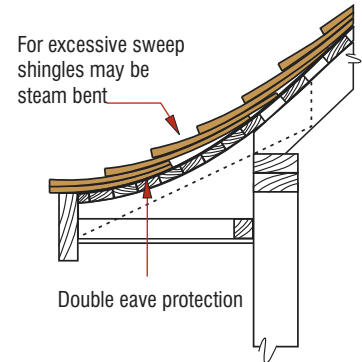
Courtesy: Western Wood Products, Photo: John Spaulding

## Apex Juncture

On this roof juncture (Figure 11) metal flashing should cover the top 203mm of the roof and the top 102mm of the wall. It should be installed before the final course of Certi-label shakes or shingles is applied to the wall. The recommended sequence of application is to apply Certi-label shakes or shingles first to the wall then to the roof. The overhanging roof material is then trimmed flush with the wall. Finally, specially prepared ridge units are applied over the wall-roof juncture so that in each matching pair the roof piece overlaps the wall piece each time.



**Figure 11: Apex Roof Juncture**



**Figure 12 Swept or Bell Eave**

## Swept or Bell Eave

When Certi-label shakes or shingles are to be applied to a swept or bell eave where the curvature is excessive, it may be necessary to soak them for a period (usually overnight) or steam them prior to installation. A double starter course is employed in the usual manner. Exposure is determined by the slope of the roof and the type of Certi-label shake or shingle selected. At lower pitches

**Note:** For unusual roof applications contact the Cedar Shake & Shingle Bureau for a list of members who can assist you with specific questions.

# ROOF VALLEY FLASHING DETAILS

## Roof Valley Flashing Detail

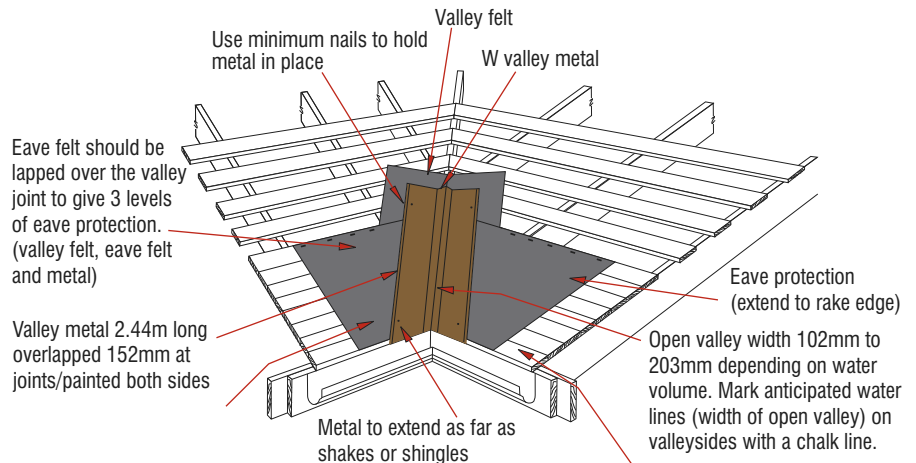
Most roof leaks can occur where water is channelled off the roof or where the roof abuts a vertical wall or chimney. At these points, metal valleys and flashings are used to assist the Certi-label shakes and shingles in keeping the structure sound and dry.

Structural members that join a roof should also be flashed at all intersecting angles to prevent leakage. Step flashing should extend under the Certi-label shakes and shingles, up the vertical surface, (one flashing installed on each course concealed under the covering course) and should be covered by a second layer of flashing (counter-flashing).

Flashing should be pre-painted both sides using a good metal or bituminous paint (Figure 13a). Flashing strips which must be bent to sharp angles should be painted after bending. Metal flashing with baked-on enamel coating is available in some areas.

Different flashing metals are available in different areas depending on climatic variations. It is good practice to use metals

that have proven their reliability under the specific conditions to be encountered. It is important that metal flashing have the same longevity as Western Red Cedar. Check with your local building official for their preference in your area.

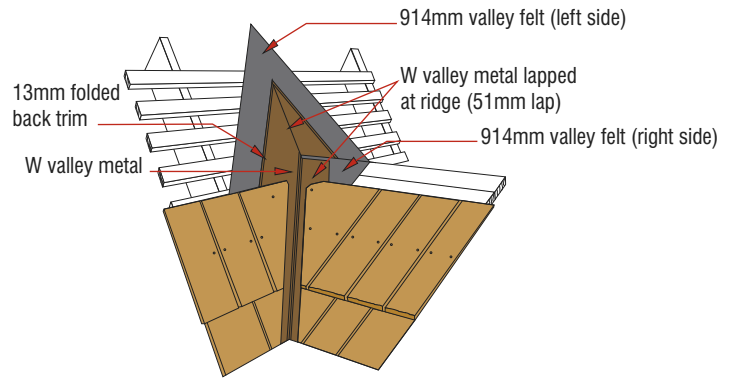


**Figure 13a: Valley Metal**



### Valleys: Certi-label Shingles

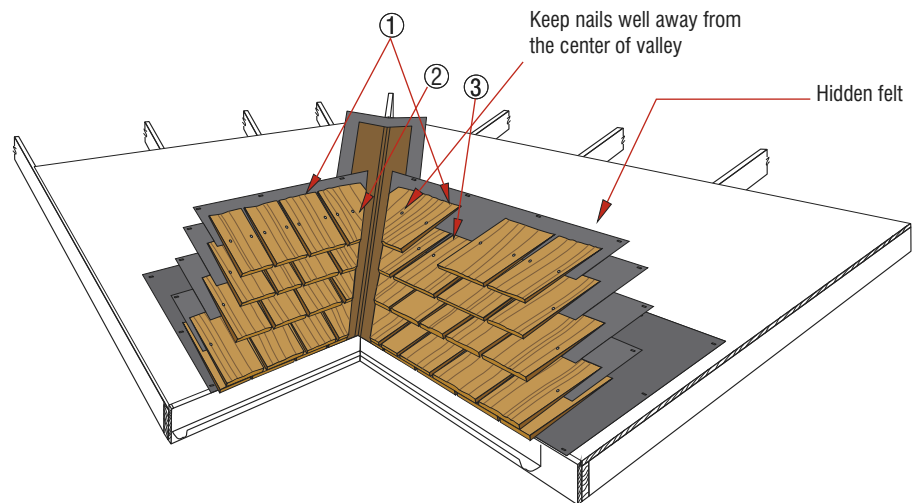
For roofs with slopes of 45° or greater, valley flashing should extend not less than 203mm on each side of the valley centerline. For roof slopes less than 45°, flashing should extend not less than 279mm each side. Valley flashing should be center-crimped, painted, galvanized steel or aluminum. Valley metal should be underlaid with No. 30 ASTM D226 Type II or No. 30 ASTM D4869 Type IV roofing felt. Shingles should not be applied with their grain parallel to the valley centerline and those extending into the valley should be cut at the correct angle (Figure 13b).



**Figure 13b: Typical Saddle Flashing Detail**

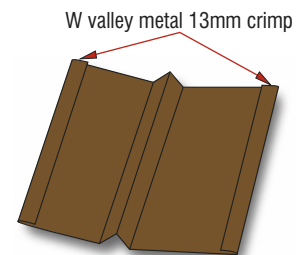
### Valleys: Certi-label Shakes

On shake roofs, it is recommended that a strip of No. 30 ASTM D226 Type II or No. 30 ASTM D4869 Type IV roofing felt be installed over the sheathing and under the metal valley. Metal valleys should be center-crimped, painted, galvanized steel or aluminum and should extend not less than 279mm on each side of the valley centerline. In some areas, however, flashing width requirements may differ and local building codes should be consulted. Shakes should not be applied with their grain parallel to the valley centerline and those extending into the valley should be cut at the correct angle (Figure 13c).



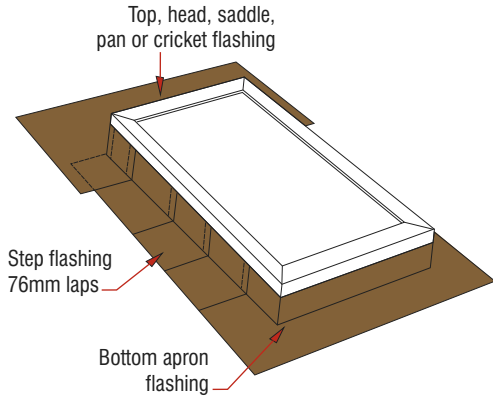
**Figure 13c: Valley Product Application**

- Order of applying Certi-label shakes or shingles at valley:
1. Stop course line here
  2. Place pre-cut valley piece so that cut-angle is positioned on the valley guide chalk line with tip on the course line.
  3. Select product of the required width to complete the course of Certi-label shakes or shingles.

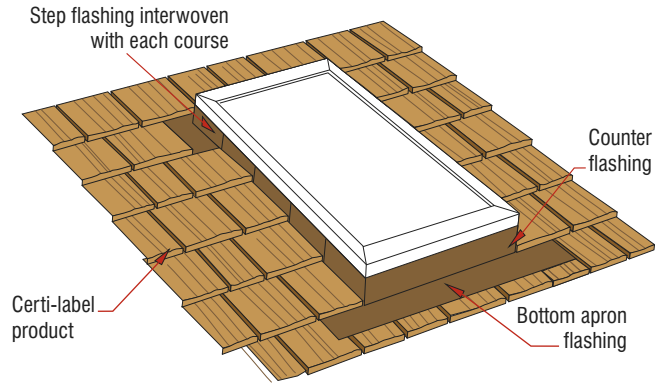


**Figure 13d:  
Roof Valley Flashing Detail**

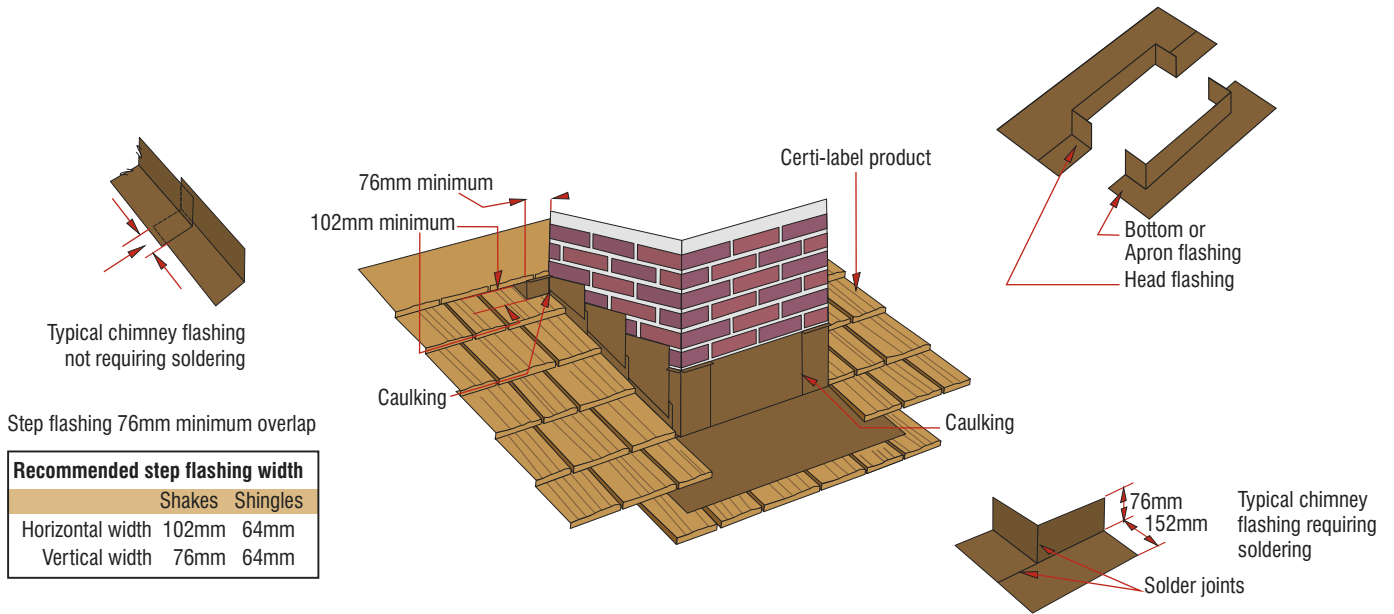
**Figures 13a-13d: Flashing Details  
for Shake and Shingle Valleys**



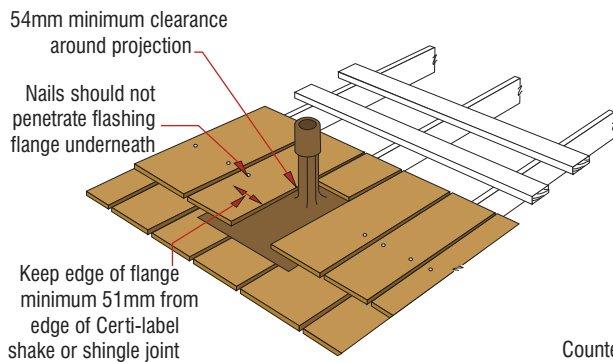
**Figure 14a: Skylight Flashing**



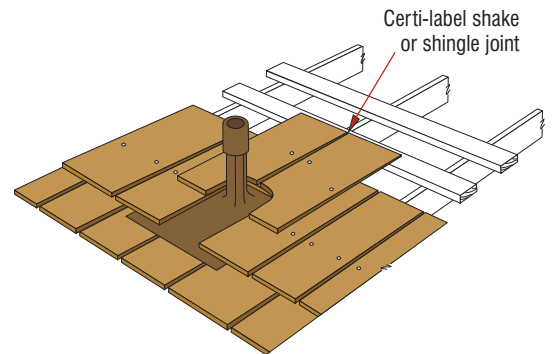
**Figure 14b: Skylight Installation**



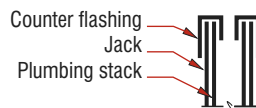
**Figure 14c: Typical Projection Flashing**



**Figure 14d: Typical Projection Flashing**



**Figure 14e: Typical Projection Flashing**



**Figures 14a-14e: Flashing Details for Typical Roof Projections**

## Nails

Each Certi-label shake or shingle shall be applied with two fasteners. Nails **must be** stainless steel **Type 316** in locations within 24.14 km of salt water. For locations outside the salt water zone - nails **must be** stainless steel, **Type 304**, **Type 316**, or hot-dipped galvanized with a coating weight of ASTM A 153 Class D (0.028 kg /0.093 m<sup>2</sup>). Stainless steel nails offer the highest degree of corrosion resistance. Some nail manufacturers offer nails specifically for wood shake or shingle roof application. Contact the nail manufacturer for further information to ensure the fasteners used comply with listed requirements and are correct for your application.

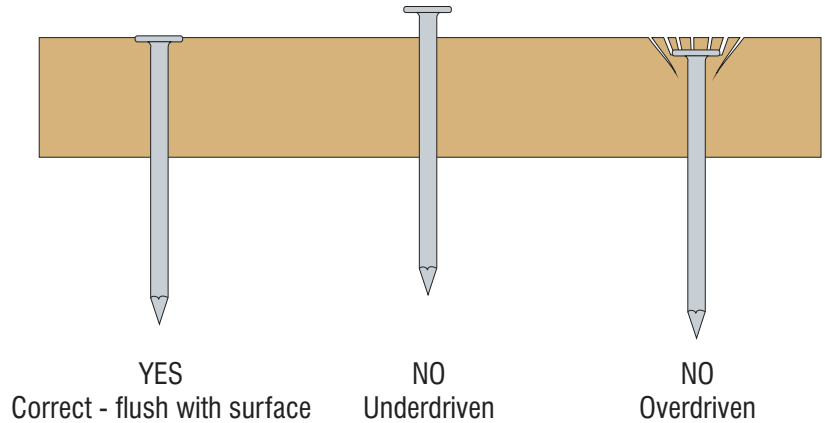
## Staples

The Cedar Shake & Shingle Bureau prefers the use of nails, however if you choose to use staples they **must be** stainless steel **Type 316** in locations within fifteen (15) miles of salt water. For locations outside of the salt water zone stainless steel **Type 304** or **Type 316** **must be** used. Each Certi-label shake or shingle shall be applied with two (2) staples. Staples **must be** 1.5mm gauge with crowns 11mm minimum horizontal, maximum 19mm horizontal to the Certi-label shake or shingle butt.

## Location/Penetration

Fasteners, two (2) per shake or shingle, shall be applied approximately 19mm from the edge and approximately 38mm above the exposure line. Fasteners shall be long enough to penetrate into the sheathing at least 19mm or all the way through. Minimum nail lengths are shown in the fastener chart. Nails and staples must be driven flush with the surface of the Certi-label shake or shingle. Overdriving the fastener can split and/or distort the Certi-label shake or shingle.

**Do not use electro galvanized (EG) fasteners.**



## Important Notes:

Underdriving or overdriving any fastener will affect the integrity of the roofing system. Fasteners utilized must be specific for use with wood shakes and shingles to prevent splitting and other weakening factors. **Do not use electro-galvanized (EG) fasteners.** Ensure the fasteners used comply with listed requirements.

## Pressure Impregnated Treated Shakes and Shingles

Fasteners used with fire-retardant-treated (Certi-Guard®) and preservative-treated (Certi-Last®) shakes or shingles **must be** stainless steel **Type 316**. For specifics on installation, accessory building materials (flashing, etc), finishes and maintenance please contact the treatment company directly.

[www.cedarbureau.org/purchasing/treaters.asp](http://www.cedarbureau.org/purchasing/treaters.asp)

*The information above is not intended to supersede local building codes.*

| Fasteners                                  |                              |
|--|------------------------------|
| Type of Certi-label Shake or Shingle       | Nail Type and Minimum Length |
| <b>Certi-Split &amp; Certi-Sawn Shakes</b> | <b>Type (in)</b>             |
| 457mm Straight-Split                       | 5d Box 45mm                  |
| 457mm and 610mm Handsplit and Resawn       | 6d Box 51mm                  |
| 610mm Tapersplit                           | 5d Box 45mm                  |
| 457mm and 610mm Tapersawn                  | 6d Box 51mm                  |
| <b>Certigrade Shingles</b>                 | <b>Type (in)</b>             |
| 406mm and 457mm Shingles                   | 3d Box 32mm                  |
| 610mm Shingles                             | 4d Box 38mm                  |

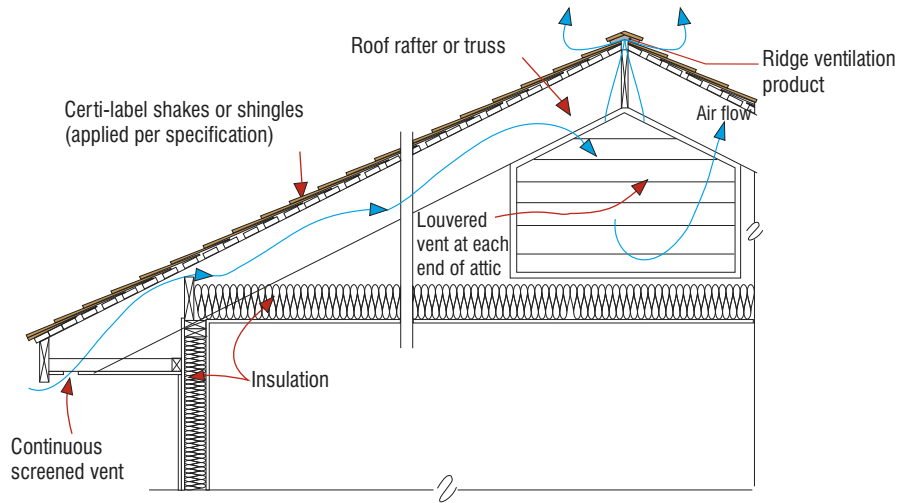
**Note:** Longer fasteners of the same quality may be required for nailing ridge product



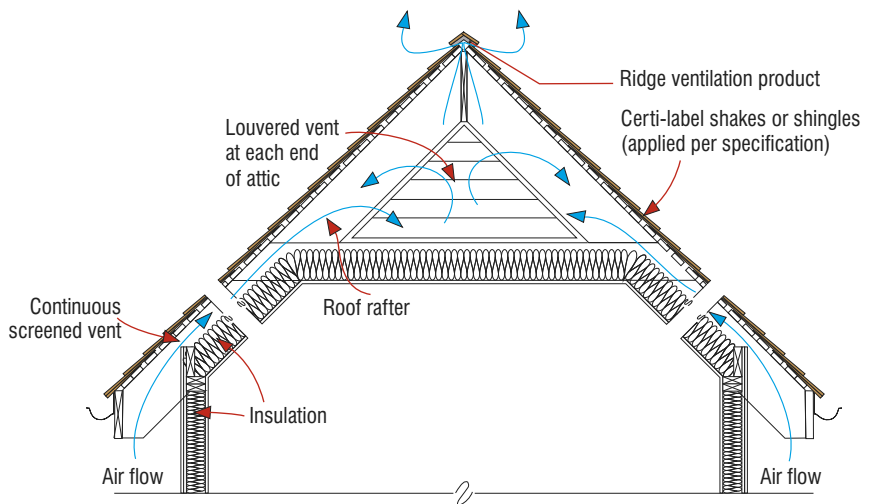
**Ventilation Guidelines**

The importance of good attic ventilation beneath the roof cannot be overemphasized. Such movement of air will prevent or inhibit condensation of moisture on the undersurface of the Certi-label shakes or shingles, or on the roof decks. Vents should be provided at the soffits (eaves) as well as at gable ends (screened to prevent ingress of insects), on roof by using attic roof ventilation or preferably the ridge lines with cross-ventilation desirable. A rule of thumb for adequate ventilation is that the ratio of total net free ventilation area to the area of the attic should be not less than 1:150, with compensation made for screens over vent apertures. In the case of a balanced system a 0.09 m<sup>2</sup> per 27.87 m<sup>2</sup> of floor area may be adequate ventilation. Check with your local building department. Attic fans may be beneficial by supplying additional movement of air in attic spaces. Several roof ventilation construction techniques are shown in Figures 15a-15c.

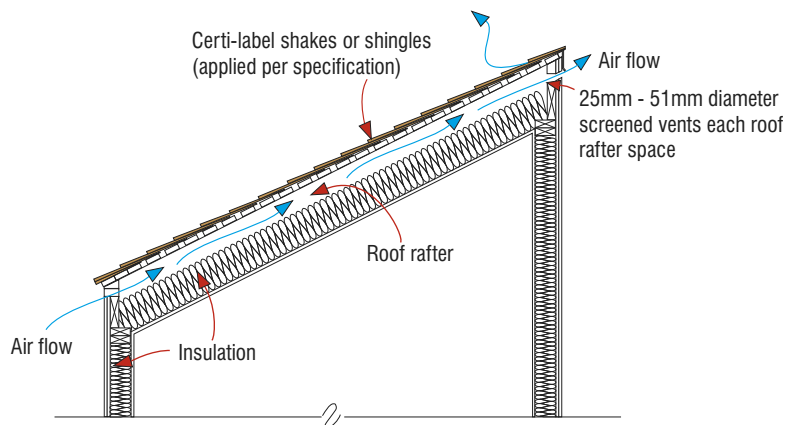
Any modification to the vapor barrier system or addition of a vapor barrier system should only be done after consulting with your local building official or a building envelope specialist. In some areas, building envelope specialists are regulated by government. Please check with local building officials to see if there are professional requirements in your area.



**Figure 15a: Gable Roof With Attic**



**Figure 15b: Cathedral Ceiling With Partial Attic**



**Figure 15c: Shed Roof**

**Figures 15a-15c: Ventilation Details**

## Ridge Vents

The amount of venting depends upon the size of the roof, roof design/structure, (attic present or not, etc.) as well as local climatic conditions. Check with your local building official for requirements in your area. One rule of thumb for venting the attic area is 0.31 square m per 45.72 square m of floor area. One half of this (0.15 square m per 22.86 square m area) amount should be in the soffit or eave and one half (22.86 square m) in the roof system. In the case of a balanced system 0.31 square m per 91.44 square m of floor area may be adequate ventilation. Check with your local building official.

## Low Slope (27° or less)

The CSSB recommends the installation of ridge ventilation product that allows for installation of pre-manufactured ridge applied over the vent material. There are many manufacturers of this design.

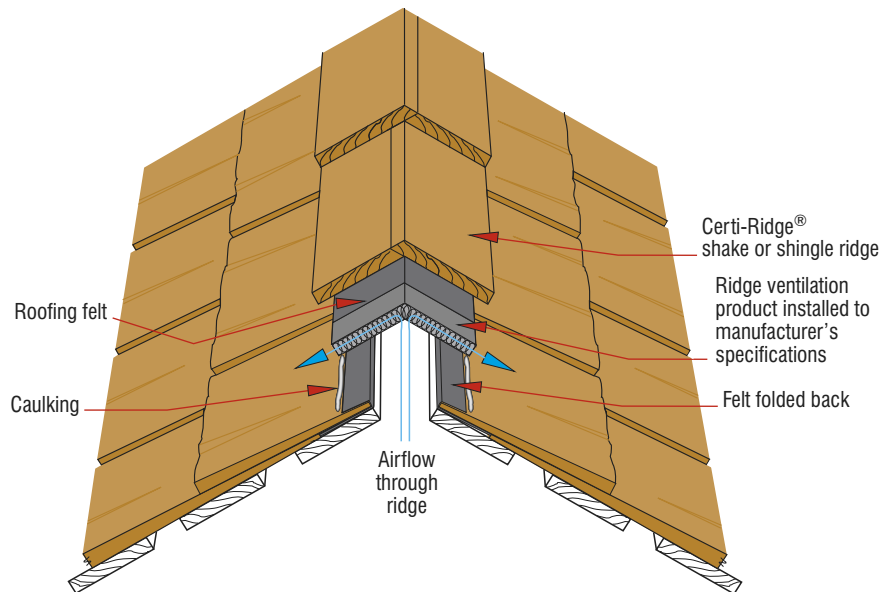


Figure 16: Ridge Ventilation Detail

## Steep Slope (34° or greater)

On steep slope roofs, the correct ridge ventilation products can actually facilitate the ease of installation of Certi-label ridge units. Always follow the manufacturer's installation instructions. The predominant ridge material manufactured today is for a low slope roof. However, by using a ridge ventilation product that is malleable and at least 211mm wide, the material can be installed across the minimum 76mm of air space at the ridge to create a shallowing of the slope at the ridge. Care must be taken to caulk the ridge ventilation material to the Certi-label shakes or shingles. Proper nailing of the ridge units will create a serviceable application.

## Severe Climate Areas

In all wind driven snow areas, the proper ridge ventilation product should have a screening effect to prevent snow infiltration (not louvered or baffled).



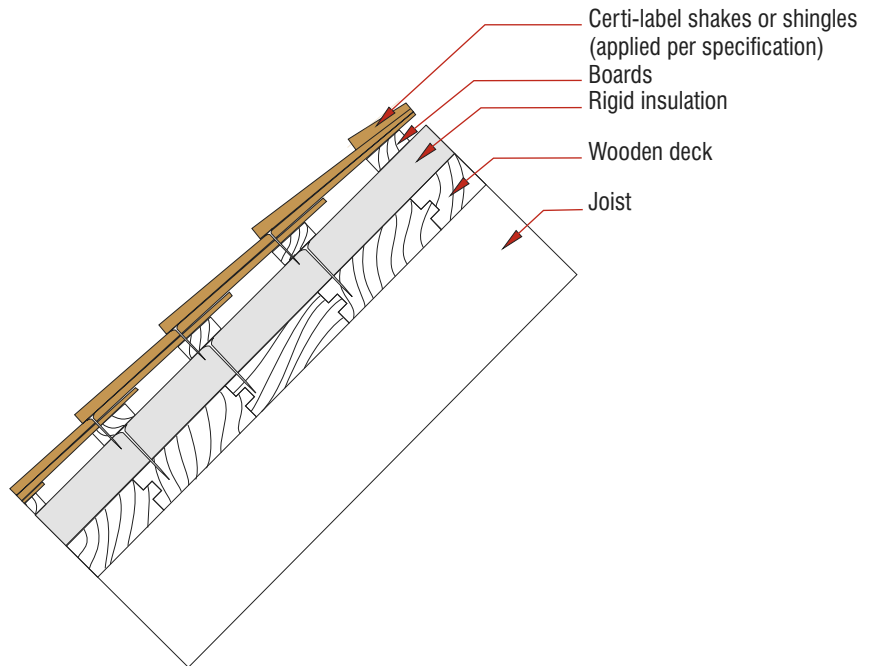
## Wood Deck

Wood decks form an ideal base over which to apply Certi-label shakes or shingles, since they can be attached in the conventional manner.

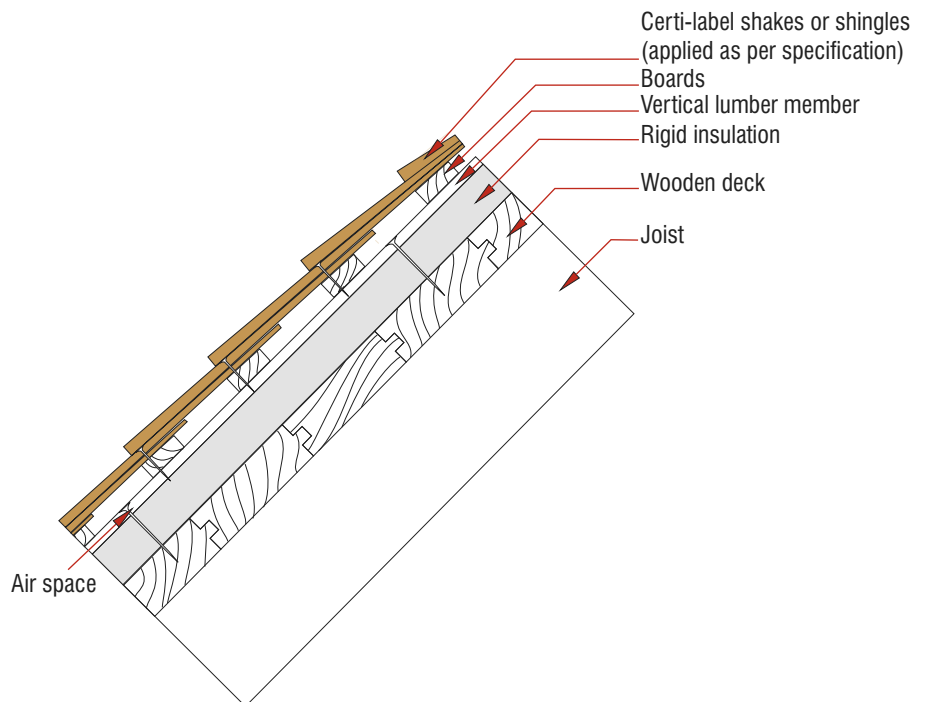
Rigid insulation raises the issue of how to fasten Certi-label shakes or shingles. The use of abnormally long nails driven through the Certigrade shingles, the insulation and into the deck below is generally unsatisfactory. Horizontal strapping will be required to overcome the fastening difficulties (Figure 17). When strapping is used, fewer nails penetrate through the insulation to the deck, and greater thermal efficiency is achieved by reducing the number of conductors. In addition, the lengths of the nails may be chosen to prevent the points from protruding through the deck where they may mar the inside face.

If ice-damming is a potential problem or if reverse condensation is likely to occur, such as may be encountered in an ice arena, a cold roof system should be used in conjunction with horizontal strapping, and ventilation must be provided at the eaves and at the peak. In buildings such as ski cabins that may be subjected to heavy snow loads, it is usually necessary to fasten wood members (typically 38mm x 89mm on edge) from ridge to eave on the roof deck and place the rigid insulation between. Strapping is then applied across the top of these members, giving a ventilated air space and avoiding compression of insulation (Figure 18). For additional details on cold roof systems please see page 17.

The need for strapping can often be completely eliminated by the use of a false plywood deck, immediately over the insulation, to which the Certi-label shakes or shingles are directly fastened (Figure 19). Exterior-grade sheathing panels are ideal for this purpose, since they provide a strong, smooth surface. However, under certain conditions of slope and loading, there may be a tendency for the entire roof above the decking to creep downwards, bending the nail fastenings and compressing the insulation, thereby reducing its efficiency. In such cases, it is often desirable to install the vertical members as previously described.



**Figure 17: Specialty Roof Deck-Strapping Over Insulation**



**Figure 18: Specialty Roof Deck-Vented Roof**

## Nails

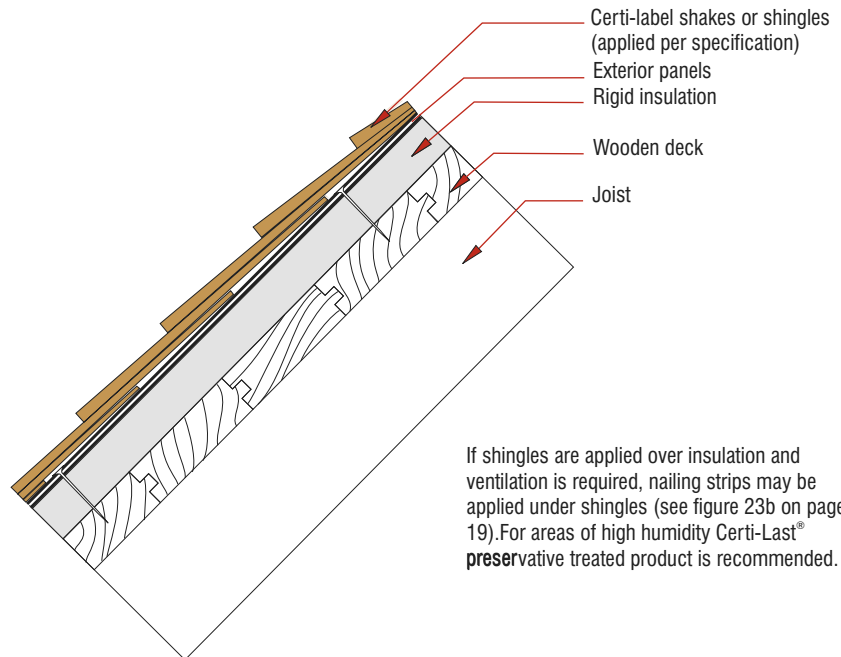
If the Certi-label shakes or shingles are nailed directly through rigid insulation, a number of problems may be encountered. For instance, the longer nails have thicker shanks which tend to split the Certi-label shakes or shingles.

Product movement may cause a reduction in insulation efficiency. For this reason, the use of strapping or a false plywood deck is again recommended.



## Rigid Insulation

Numerous types of rigid insulation are now in use, and may be made from expanded polystyrene beads, rigid urethane laminate, low density fiberboard, or from fast-setting liquids poured on-site. They vary in thickness up to more than 51mm and in length and width depending upon the manufacturer. All these types are efficient insulators and are usually of sufficient density to hold the weight of a normal roofing material without the need for lumber bridging. If you live in an area where snowfall is prevalent, please consult your local building official for snow load requirements.



**Figure 19: Specialty Roof Deck-Panels Over Insulation**

For more technical information please contact our office at

Tel: **(604) 820-7700**

Fax: **(604) 820-0266**

**info@cedarbureau.com**

**www.cedarbureau.org**

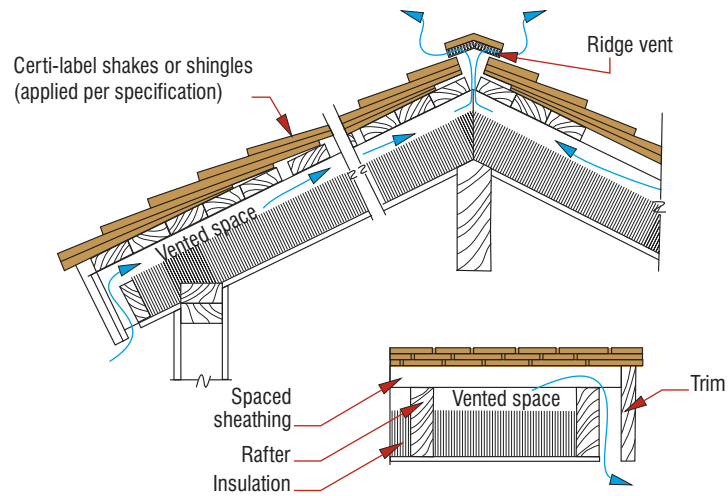


Certi-label shakes and shingles are an excellent roofing material for cold weather areas that experience heavy snowfall and severe temperature extremes. Certi-label shakes and shingles offer the advantages of durability, superior wind resistance and good thermal and acoustical properties. As with any other roofing material, however, their best performance depends upon proper design, sound construction practice and correct installation.

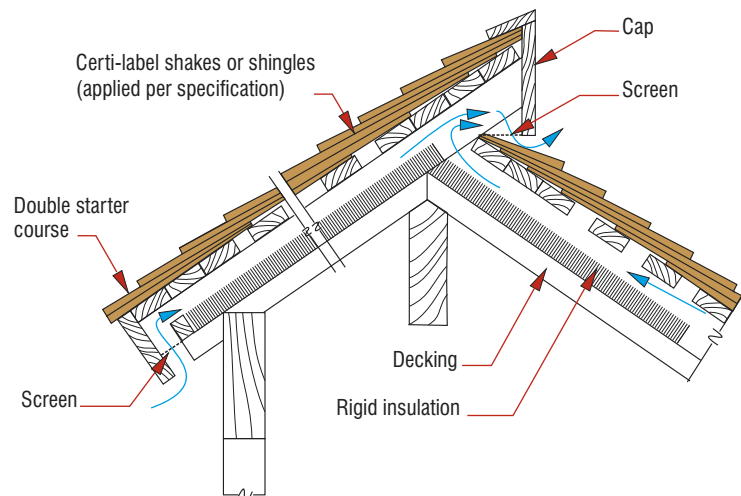
In cold weather areas and particularly in mountain regions that experience very heavy snowfall, the cold roof - or vented roof system - is recommended (Figures 20 & 21). The principle of this system is to allow a constant flow of cold air above the insulation but below the roofing material. With other roofing systems, ice buildup along the eaves can be a problem. Heat escapes from the insulation and melts snow, which runs down the roof to the cold overhangs where it freezes, causing water to back up and sometimes penetrate the roof systems. A properly installed, vented cold roof eliminates this problem. Venting space should be sufficient to allow a free flow of air from eave to ridge.

There are a number of important considerations that influence roof performance in areas of heavy snowfall, particularly mountain regions.

Design, of course, is very important. The steeper the roof the better the performance. Chimneys should be located at the ridge or gable ends away from possible snow pressure on the slopes. Plumbing pipes should be located on inside walls and should be extended between the rafters and vented at the ridge. If this is not practical then plumbing vent pipes should be galvanized iron, well anchored inside the roof. (Plastic vent pipes extending through the roof may be dislodged by sliding snow.)



**Figure 20: Gable Roof**



**Figure 21: Shed Roof**

**Figures 20 & 21: Cold Roof Systems**

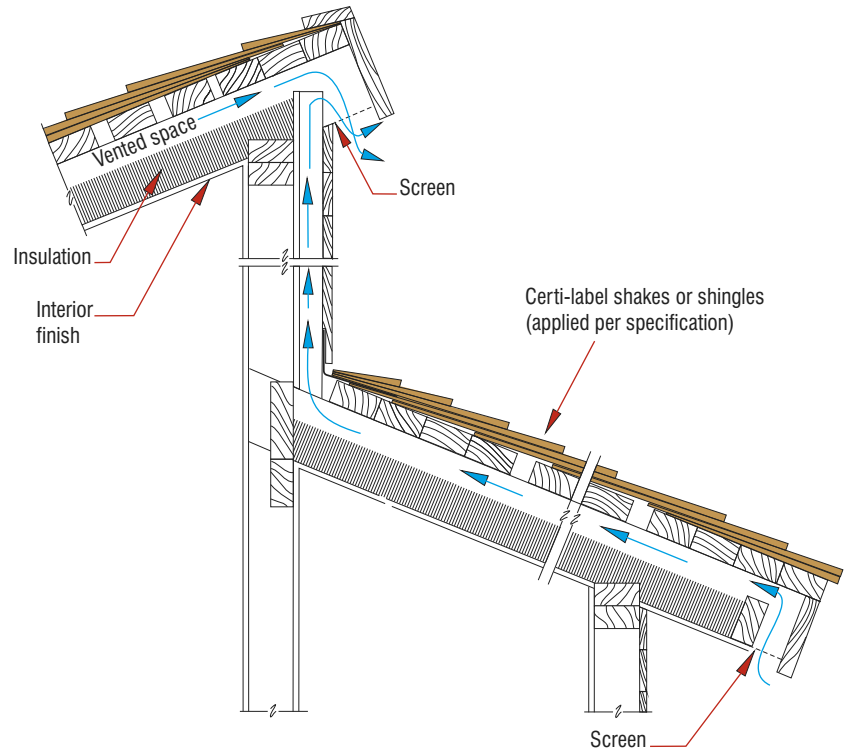




Wide overhangs at the eaves should be avoided as they provide large cold areas for snow and ice build-up. A strip of metal along the eaves helps shed ice quickly. Sliding ice and snow are constant hazards and should be given primary consideration in the total building design. Outside doors should not be located at the bottom of a roof slope. Entrances and all pedestrian traffic areas are better situated beneath the gable ends of the roof.

Care must be taken in applying the sheathing boards to facilitate proper nailing. Shake or shingle side lap should be increased to 51 mm. The entire roof must be laid with the same precautions as those taken for any other type of wood shake or shingle roof, with eave protection and an interlay felt between shakes.

Care in cold roof design and installation will result in a sound roof system giving many years of service during severe extremes of winter temperatures and snowfall.



**Figure 22: Half Monitor Roof**



Courtesy Goat Lake Forest Products Ltd. Photo: Kristy McKamey

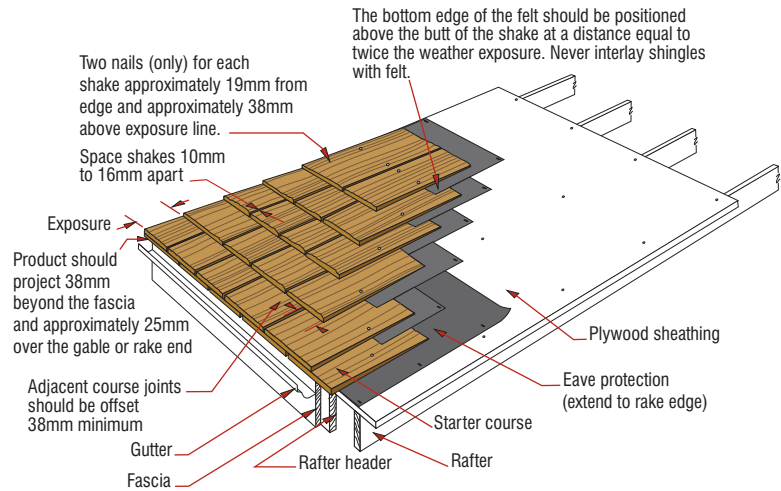


## In areas of high humidity where solid sheathing is required:

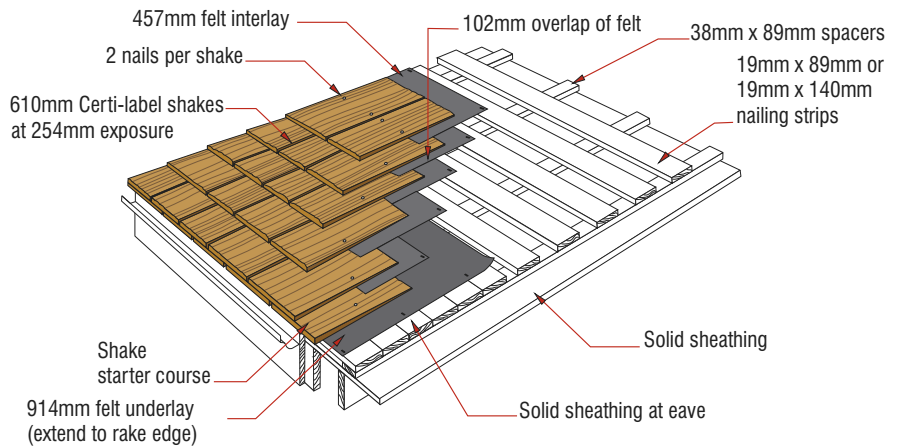
Following are 4 different suggested methods of application to increase longevity:

1. Apply **Certi-Last** pressure-impregnated treated shakes or shingles directly to the sheathing. (Figure 23a)
2. Apply vertical strips over the sheathing in alignment with the rafters below, then place horizontal furring strips on top of the vertical boards. (See Figure 23b).
3. Apply horizontal furring strips to the deck, spaced at the exposure of the product.
4. A continuous ventilation product may be used beneath the Certi-label roofing material (See Figure 23c).

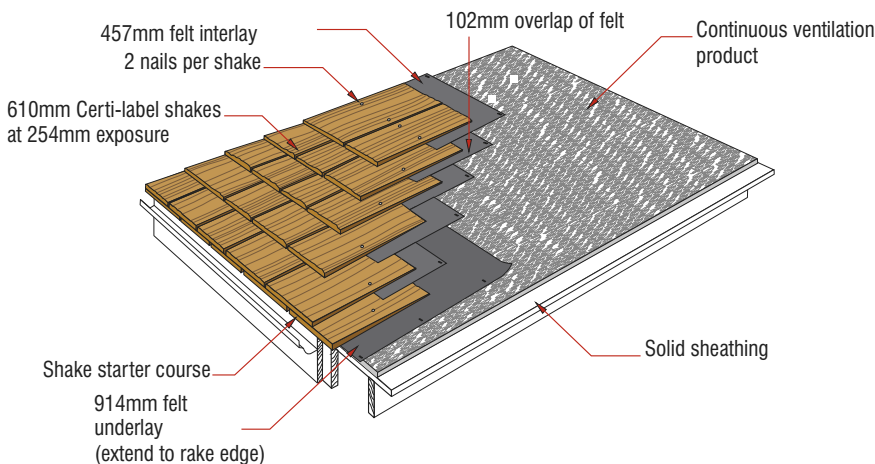
Note: Good ventilation is essential. Ridge and soffit vents are recommended.



**Figure 23a: Certi-Last® shake application (Option 1 depicted)**



**Figure 23b: Vertical Strips Over Solid Sheathing Application (Option 2 Depicted)**



**Figure 23c: Continuous Ventilation Product (Option 4 Depicted)**

### Figures 23a - 23c: High Humidity Area Details

Note: The above figures are depicting a shake application - **Do not interlay shingles with felt.**

# COVERAGE AND EXPOSURE TABLES

### Shingle Coverage Table 1

| LENGTH AND THICKNESS | Approximate coverage of one square (4 bundles) of shingles based on following weather exposures |                     |                     |                       |                       |                     |                     |                     |                       |
|----------------------|---|---------------------|---------------------|-----------------------|-----------------------|---------------------|---------------------|---------------------|-----------------------|
|                      | 89mm  | 102mm               | 114mm               | 127mm                 | 140mm                 | 152mm               | 165mm               | 178mm               | 190mm                 |
| 406mm x 5/51mm       | 6.50 m <sup>2</sup>   | 7.43 m <sup>2</sup> | 8.36 m <sup>2</sup> | 9.29 m <sup>2</sup> * |                       |                     |                     |                     |                       |
| 457mm x 5/57mm       |   | 6.74 m <sup>2</sup> | 7.57 m <sup>2</sup> | 8.41 m <sup>2</sup>   | 9.29 m <sup>2</sup> * |                     |                     |                     |                       |
| 610mm x 4/51mm       |   |                     |                     |                       | 6.83 m <sup>2</sup>   | 7.43 m <sup>2</sup> | 8.04 m <sup>2</sup> | 8.64 m <sup>2</sup> | 9.29 m <sup>2</sup> * |

NOTE: \* Maximum exposure recommended for roofs.

### Shingle Exposure Table 2

| SLOPE           | Maximum exposure recommended for roofs |       |       |                    |       |       |                      |       |       |
|-----------------|--|-------|-------|--------------------|-------|-------|----------------------|-------|-------|
|                 | LENGTH                                 |       |       |                    |       |       |                      |       |       |
|                 | Number 1 Blue Label                    |       |       | Number 2 Red Label |       |       | Number 3 Black Label |       |       |
|                 | 406mm                                  | 457mm | 610mm | 406mm              | 457mm | 610mm | 406mm                | 457mm | 610mm |
| 14° to 18°      | 95mm                                   | 108mm | 146mm | 89mm               | 102mm | 140mm | 76mm                 | 89mm  | 125mm |
| 18° and steeper | 127mm                                  | 140mm | 190mm | 102mm              | 114mm | 165mm | 89mm                 | 102mm | 140mm |

### Shake Coverage Table 3 see footnote (f) below

| SHAKE TYPE, LENGTH AND THICKNESS               | Approximate coverage (in square meters) of one square, when shakes are applied with an average 13mm spacing, at following weather exposures, in inches (d): |  |                           |                     |                         |
|--|---|--|---------------------------|---------------------|-------------------------|
|  | 127mm   | 146mm                                      | 190mm                     | 216mm               | 254mm                   |
| 457mm x 13mm Handsplit-and-Resawn Mediums (a)* | –   | 6.97 m <sup>2</sup> (b,f)                  | 9.29 m <sup>2</sup> (f,c) | –                   | –                       |
| 457mm x 19mm Handsplit-and-Resawn Heavies (a)* | –   | 6.97 m <sup>2</sup> (b,f)                  | 9.29 m <sup>2</sup> (f,c) | –                   | –                       |
| 457mm x 16mm Tapersawn*                        | –   | 6.97 m <sup>2</sup> (b) <sub>Approx.</sub> | 9.29 m <sup>2</sup> (f,c) | –                   | –                       |
| 610mm x 10mm Handsplit                         | –   | –  | 6.97 m <sup>2</sup> (e)   | –                   | –                       |
| 610mm x 13mm Handsplit-and-Resawn Mediums      | –   | –  | 6.97 m <sup>2</sup> (b)   | 7.90 m <sup>2</sup> | 9.29 m <sup>2</sup> (c) |
| 610mm x 19mm Handsplit-and-Resawn Heavies      | –   | –  | 6.97 m <sup>2</sup> (b)   | 7.90 m <sup>2</sup> | 9.29 m <sup>2</sup> (c) |
| 610mm x 16mm Tapersawn                         | –   | –  | 6.97 m <sup>2</sup> (b)   | 7.90 m <sup>2</sup> | 9.29 m <sup>2</sup> (c) |
| 610mm x 13mm Tapersplit                        | –   | –  | 6.97 m <sup>2</sup> (b)   | 7.90 m <sup>2</sup> | 9.29 m <sup>2</sup> (c) |
| 457mm x 10mm Straight-Split                    | –   | 6.04 m <sup>2</sup> (b)                    | 8.36 m <sup>2</sup> (c)   | –                   | –                       |
| 610mm x 10mm Straight-Split                    | –   | –  | 6.97 m <sup>2</sup> (b)   | 7.90 m <sup>2</sup> | 9.29 m <sup>2</sup> (c) |
| 381mm Starter-Finish course                    | Use supplementary with shakes applied not over 254mm weather exposure.  |  |                           |                     |                         |

(a) 5 bundles will cover 9.29 m<sup>2</sup>, roof area when used as starter-finish course at 254mm weather exposure; 7 bundles will cover 9.29 m<sup>2</sup>, roof area at 190mm weather exposure; see footnote (d).  
 (b) Maximum recommended weather exposure for 3-ply roof construction.  
 (c) Maximum recommended weather exposure for 2-ply roof construction.  
 (d) All coverage based on an average 13mm spacing between shakes.  
 (e) Maximum recommended weather exposure.  
 \*9.29 m<sup>2</sup> coverage is based on 12/12 pack, 5 bundle square, at 190mm exposure.

**(f) Note: While most shakes are packed in bundles of 12 courses each side (12/12) they may be packed 9/9. This will alter the number of bundles required to cover 1 square. For example: 457mm shake bundles 12/12 should cover 9.29 m<sup>2</sup> at 190mm exposure. 9/9 pack should give 75% coverage of a square. Check with your supplier to confirm specific packaging (bundle size) used for your order "**

### Shake Exposure Table 4

| SLOPE           | Maximum exposure recommended for roofs |           |
|-----------------|--|-----------|
|                 | LENGTH                                 |           |
|                 | 457mm                                  | 610mm     |
| 18° and steeper | 190mm                                  | 254mm (a) |

(a) 610mm x 10mm handsplit shakes limited to 190mm maximum weather exposure per UBC and IBC.

Formula for calculating material at reduced exposures:  
 Square meters divided by reduced coverage = total material required e.g. you are estimating a roof that measures 297.29 m<sup>2</sup> (32 squares). You have decided to put 406mm Certigrade shingles (No.1 Blue Label or No.2 Red Label) at 102mm exposure. The above coverage table (Table 1) tells you that a 4-bundle square at 102mm exposure covers 7.43 m<sup>2</sup>. 297.29 m<sup>2</sup> divided by 7.43 = 40 squares of material

**Please Note: ONLY experienced professionals who follow proper safety and workmanship practices should implement the information contained herein.**

## Certi-label Cedar Is Naturally Long-Lasting

Cedar shakes and shingles have been used for hundreds of years. They have proven their longevity in actual weather conditions, in all types of climates. Cedar shakes and shingles contain oils that make them naturally decay resistant. Their insulative qualities, aesthetic appeal, and wind & impact resistance make Certi-label cedar shakes and shingles the natural choice for your roofing and siding material.

## Longevity Starts With A Quality Manufacturer

Not all cedar products are alike. Purchasing cedar products with the “Certi” brand name on the bundle label guarantees you that the mill undergoes inspections by an independent third party inspection agency. Only Cedar Shake & Shingle Bureau member mills are allowed to label their products with the Certi-label. Each member mill’s bundles will have the distinctive Certi-label tucked under the bundle strap. Locating Certi-label products is as close as your nearest computer or telephone. Contact the Cedar Bureau for more information.

## Longevity Continues With A Quality Installation

Roof construction plays a major role in determining the lifespan of cedar roofs. Proper design is absolutely critical to ensure long-term roof integrity. Proper installation will help maximize the life of cedar products.

Experienced care and maintenance professionals can make recommendations based on:

- Zinc or copper strips nailed at the ridge cap can be effective to control moss. Reaction between rain and the zinc or copper forms a mild solution that is carried down sections of the roof. The optional use of these strips can be eliminated if you are using Certi-Last products.

- Overhanging branches should be kept trimmed away from the roof. This will prevent leaves, small branches and other debris from building up and keeping the roof wet.
- Gutters and downspouts need to be cleaned regularly, usually in the spring and fall. Downspouts (leaders) should run directly to the ground or to another gutter below. Never let a downspout drain directly onto a lower roof surface.
- Cedar needs to breathe, and therefore needs to be kept clean. Do not allow leaves, branches or other debris to build up on the roof. Both surface areas and keyways (spaces between shakes and shingles) need to be kept clear.
- Ensure ventilation is available, year round. Areas with louvers, ridge vents, roof vents, and soffit vents need to be kept clear and never blocked off. Adequate ventilation ensures heat and moisture do not build up in the attic area. Adequate ventilation also prevents water from accumulating at the bottom of the roof and then freezing (ice damming).

## Certi-label Cedar Is Also Available With Pressure-Impregnated Treatment Process

For even longer life span, where climate is a factor, Cedar Bureau members offer Certi-Last preservative-treated shakes and shingles. These products are ideal for areas of high humidity. Certi-Last products are cedar shakes and shingles that are factory pressure-treated by quality treaters who are members of the Cedar Bureau. Contact the treatment company for warranty details.

Pressure-treated Certi-Guard or Certi-Last products should not receive after-market roof treatments without written permission from the manufacturer of such products.

## A Word About Topical Treatments For Installed Roofs

There are hundreds of companies offering topical roof spraying and cleaning services. The Cedar Bureau has conducted an in-depth study of care and maintenance systems, and provides the following summary:

- Avoid the fly-by-night operation that has no permanent office, no workmanship guarantee, and no local references. Fly-by-night operations often gouge consumers for thousands of dollars beyond the value of their service, leaving them with damaged roofs covered with unsuitable and sometimes dangerous treatment products.

If you elect to have a topical treatment applied to your cedar roof, the Cedar Bureau recommends the following:

1. Check references (consumer, Better Business Bureau, Chamber of Commerce).
2. Ask about the treatment product that is being used (more details follow).
3. Ask to see the company’s workmanship guarantee, license and workers’ compensation coverage.



Brindisi and Yaroscak Custom Builders, Inc.  
Architect: George Dumitru



### Topical Treatment Products

It is not within the Cedar Bureau's mandate to recommend brand names of topical roof treatment products. Consult with your local professionals for product information regarding cleaning and preserving cedar in your area. The Cedar Bureau does, however, recommend the following:

#### DO use a topical treatment product that:

- Offers a MSDS (Material Safety Data Sheet that lists product ingredients and safety precautions)
- Is labeled as a cedar roof treatment product or has a letter from the manufacturer stating that treating cedar roofs is an appropriate use for this product
- Is a water repellent, UV inhibitor, and/or EPA registered wood preservative
- Has a manufacturer's performance guarantee

#### DO NOT use a topical treatment product that:

- Makes outrageous claims (such as a 10-year effectiveness)
- Makes fire-retardant claims
- Is a sealant, waterproofer or plasticizer
- Contains unfortified linseed oil, diesel fuel or crank case oil

The Cedar Bureau is aware of numerous bleaching and cleaning agents. Consumers are advised to heed the preceding topical treatment precautions before allowing such products to be applied to a cedar roof.

### Powerwashing

This is the most controversial issue in the care and maintenance industry. It is a fact that high pressure washing by inexperienced people will cause significant damage to any material. Some debris can easily be removed with garden hose pressure. Some contractors powerwash to clean roofs, while others do not. If powerwashing is used, the roof should receive a topical treatment to restore the roof. The Cedar Bureau recommends having a professional assess each job on an individual basis to determine if powerwashing is appropriate or not. Care and maintenance professionals know the proper procedures, which include factoring in:

- Age, condition and environment of roof
- Gallons sprayed per minute
- Fan tip size
- Distance spray nozzle is held from roof
- Pressure per square inch and others...

### The Beauty Of Cedar

Another good thing about cedar is that it is possible to replace and repair parts of the roof, without worrying that your replacement shakes or shingles are significantly different in composition from your original shakes or shingles. Over the hundreds of years that cedar has been used, the product has remained unchanged...it's still cedar. As cedar advances to its mature stage, it is natural to expect some pieces to require replacement. Individual repairs are possible, and with prompt attention, proactive repairs can extend the life of your wise Certi-label cedar investment.



Architect: Arnold Scribner & Associates, Photo: Erven Jourdan

This information has been designed to aid architects, consultants and builders in specifying Certi-label shakes and shingles. It suggests a standardized terminology and style for ordering in the hope of improving accuracy. It incorporates a general outline of the latest application information. Please note, however, that this is a specification guide only. **The information in this manual is not intended to supercede local building codes.** Refer to local building codes for more information.

**General Specification Data**

1. The contractor shall cover all roof surfaces with (specify one type of the following product) Certi-Split shakes/Certi-Sawn shakes/Certigrade shingles bearing the Cedar Shake & Shingle Bureau’s official grade marked label.
2. Shakes/shingles for roofs shall be (specify grade and length).
3. Shakes/shingles for outer courses shall be (specify grade and length).
4. Shakes/shingles for undercourses shall be (specify grade and length).
5. Roof shakes/shingles shall be laid with a weather exposure of (specify in inches).

**Roof Application-Sheathing Boards**

6. Certi-Split shakes/Certi-Sawn shakes shall be applied over solid sheathing. A solid deck is recommended in seismic activity, hurricane and tornado regions and in areas where wind-driven snow is encountered and under pressure impregnated treated shakes and shingles. Please note that the only solid sheet sheathing tested with Certi-label shakes & shingles is plywood. Check with your local building official for plywood thickness/dimensions.  
Certi-Split shakes/Certi-Sawn shakes/Certigrade shingles may also be applied over spaced sheathing.
7. All open sheathing shall be 19mm x 89mm or 19mm x 140mm boards (minimum 19mm x 89mm for both shakes and shingles).

8. All solid sheathing shall be lumber or structural panels applied according to specifications of the American Plywood Association. Please note: the only solid sheet sheathing tested with shakes and shingles is plywood. Check with your local building official for plywood thickness/dimensions.

**Roofing Felt Interlay (for shakes only)**

9. Contractor shall apply a 914mm wide strip of No. 30 ASTM D226 Type II or No. 30 ASTM D4869 Type IV roofing felt at the eave line. A 457mm wide strip of No. 30 ASTM D226 Type II or No. 30 ASTM D4869 Type IV roofing felt shall be applied over the top portion of the Certi-label shakes and extend onto the sheathing. Bottom edge of felt shall be positioned at a distance above the butt equal to twice the weather exposure.

**Note:** felt interlay between courses is not necessary when straight-split, or taper-split shakes are applied in snow-free areas at weather exposures of less than one-third the total shake length (3-ply roof). Contact the CSSB for more information or visit [www.cedarbureau.org](http://www.cedarbureau.org)

**Roofing General Application Data**

10. Certi-label shakes/shingles shall be at least doubled at all eaves.
11. Butts of the Certi-label shakes/shingles in the first course on roofs shall project 38mm from the edge of roof eaves to insure proper spill into gutters and approximately 25mm at gable and rake edge.
12. Certigrade shingles shall be spaced apart not less than 6mm, not more than 10mm.
13. Certi-Split or Certi-Sawn shakes shall be spaced apart not less than 10mm, not more than 16mm.

14. Premium and Number 1 Grade Certi-label shakes/shingles shall be applied with the weather exposures consistent with the following tables:

| Maximum weather exposure  |                       |                 |
|---|-----------------------|-----------------|
| Shingle length  | 14° to 18° roof slope | 18° and steeper |
| 406mm   | 95mm                  | 127mm           |
| 457mm   | 108mm                 | 140mm           |
| 610mm   | 146mm                 | 190mm           |
| Shake length and exposure                                       |                       |                 |
| 457mm   | 190mm                 |                 |
| 610mm   | 254mm                 |                 |
| Note exception for resawn shakes:<br>610mm x 10mm shake = 190mm |                       |                 |

15. Chimney flashing shall extend up the chimney to a height not less than 76mm, up the roof slope to a point equal in height to the flashing on the chimney but never less than 1 1/2 times the Certi-label shake/shingle exposure. (All metal flashings should be painted.)  
Manufactured step-flashing:  
127mm x 178mm shingle = 64mm wall, 64mm roof  
203mm x 305mm shakes = 102mm wall, 102mm roof
16. Apron counter flashing shall extend to within 25mm of the surface of the finished roof.



Architect: Bill Latoza, Photo: Bill Latoza

17. Where saddles or crickets are formed in back of chimneys, curves or similar vertical surfaces, they shall be carried not less than 254mm under the Certi-label shakes/shingles.
18. Step flashing shall be used where vertical surfaces occur in connection with slopes. They shall be formed of separate pieces. Flashing shall extend horizontally not less than 76mm and up the vertical wall so that they shall be lapped by the counter flashing not less than 102mm. It shall be installed in step fashion and each piece shall lap not less than 76mm (one flashing installed on each course concealed under the covering course). If other than masonry is used the flashing shall extend up the wall not less than 76mm behind the sheathing paper.
19. Dormer flashings shall run 76mm up under the sheathing paper and not less than 76mm horizontally.
20. Window caps and all other projections at points where rain water accumulates must be provided with flashings, such flashings must extend a distance of at least 76mm up the wall behind the sheathing paper.
21. Soil pipes: Metal shall extend no less than 152mm in all directions and shall be installed to lap and shed water to the Certi-label shakes or shingles below.

### Hips and Ridges

22. All Certi-label shake/shingle hips and ridges shall be of alternate overlap type applied at the same exposure as field of roof and with nails long enough to penetrate into sheathing at least 19mm. Install a strip of felt, eave protection material or metal over hip or ridge under the ridge or hip cap. If longer or shorter ridge cap is used, adjust exposure accordingly.

### Valleys

23. Certi-label shakes/shingles extending into the valley shall be sawed to the proper miter.
24. Do not lay shakes or shingles with grain parallel with the centerline of valleys.
25. All valleys shall be installed with Certi-label shakes/shingles lapping the valley flashing not less than 178mm on each side.
26. On Certi-label shingle roofs of less than 27° slope, flashing should extend at least 279mm on each side.
27. For Certi-label shakes, metal valley sheets shall be center-crimped; of 508mm minimum width; underlaid with a strip of No. 30 ASTM D226 Type II or No. 30 ASTM D4869 Type IV roofing felt over the sheathing, and coated with a metal paint.
28. Valley metals that have proved reliable in a particular geographic region should be selected. Copper flashing: check with local authorities on the durabilities of copper valleys in your area.

### Fasteners

29. **For projects within 15 miles of salt water** – Certi-label roof shakes and shingles shall be secured with two (2) stainless steel Type 316 nails.

**For locations outside the 15 mile range of salt water** – Certi-label roof shakes and shingles shall be secured with two (2) stainless steel Type 304, Type 316, or hot-dipped galvanized with a coating weight of ASTM A153 Class D (0.028 kg / 0.093 m<sup>2</sup>).

**For Pressure Impregnated Products** – Fasteners used with fire-retardant-treated (Certi-Guard®) or preservative-treated (Certi-Last®) shakes or shingles *must be* stainless steel Type 316. For specifics on installation, accessory building materials (flashing, etc.), finishes and maintenance please contact the treatment company directly.

Fasteners shall be long enough to penetrate into the solid wood sheathing at least 19mm or all the way through.

30. Nails shall be driven flush but not so that the nail head crushes the wood. They shall be placed approximately 19mm to 25mm from the side edges of the shakes/shingles and approximately 38mm above the butt line of the following course.

31. Each Certi-label roof shake/shingle shall be secured with two full-driven, corrosion-resistant fasteners. (Specify size and type.)
32. Ensure that fasteners used are accepted by your local Building Official.

### Shingles:

33. Use 3d “box” nails for new roofs with 406mm and 457mm shingles.
34. Use 4d “box” nails for new roofs with 610mm shingles.
35. Use 5d “box” nails for over-roofing with 406mm and 457mm shingles, and for hips and ridges.

### Shakes:

36. Use 5d “box” nails for new roofs with 457mm straight-split shakes.
37. Use 6d “box 2” nails for new roofs with 457mm and 610mm handsplit-and-resawn shakes.
38. Use 5d 2 nails for new roofs with 610mm tapersplit.
39. Use 6d “box 2” nails for new roofs with 457mm and 610mm tapersawn.
40. 6d nails are usually adequate for Certi-label shakes, but longer nails shall be used as Certi-label shake or shingle thickness or weather exposure dictates.



©1963,1998, 2002

004

**CERTI-SPLIT**

**NUMBER 1 GRADE**

**Handsplitted Red Cedar Shakes**  
**CEDAR SHAKE & SHINGLE BUREAU**  
 THE RECOGNIZED AUTHORITY SINCE 1915  
 SUMAS, WASHINGTON (604) 820-7700

**LIFETIME LIMITED WARRANTY AVAILABLE FROM CSSB MEMBER MANUFACTURER BELOW  
 WHEN APPLIED BY A CSSB MEMBER APPROVED INSTALLER**

|                                   |  |                         |
|-----------------------------------|--|-------------------------|
| Quality Control Agency Logo       |  | Building Code Standards |
| Mill Quality Certification Number | Cedar Shake & Shingle Bureau Label ID Number | Product Testing Numbers |

Litho in Canada      www.cedarbureau.org      Country of Manufacture

Mill Name  
 Mill Location  
 Mill Phone Number

7 20454 00004 2

**ENVIROSMART**

PACKING

**HEAVY RESAWS**  
**24" x 3/4"**  
 (610.0 mm X 19.0 mm)

| COVERAGE CHART                    |              |
|-----------------------------------|--------------|
| 100 sq. ft. (9.3 m <sup>2</sup> ) |              |
| BUNDLES                           | EXPOSURE     |
| 5                                 | 10" (250 mm) |

- |   |  |
|---|--|
| 1. The "Certi" Brand Name - Your Quality Assurance                      | 8. Product Dimensions                        |
| 2. Product Grade  | 9. Cedar Bureau Label Number                 |
| 3. Product Type   | 10. Building Code Compliance Numbers         |
| 4. Independent, 3 <sup>rd</sup> Party, Quality Control Agency           | 11. Product Performance Tests Passed         |
| 5. This Number Shows Compliance with Total Quality Manufacturing System | 12. Label Identification Number              |
| 6. Mill Name, Location and Phone Number                                 | 13. UPC Code                                 |
| 7. Industry Product Description   | 14. Coverage Chart and Recommended Exposure  |
|   | 15. Application Instructions on Reverse Side |



**Cedar Shake &  
Shingle Bureau**

Contact us for more information:

**US Address**

PO Box 1178  
Sumas, WA  
98295-1178

**Canadian Address**

#2 – 7101 Horne St.  
Mission, BC  
V2V 7A2

TEL: 604-820-7700

FAX: 604-820-0266

[www.cedarbureau.org](http://www.cedarbureau.org)

[info@cedarbureau.com](mailto:info@cedarbureau.com)

This manual shows Cedar Shake & Shingle Bureau recommended procedures as of the manual's print date. It is advisable to contact the Cedar Shake & Shingle Bureau to ensure that you are using the latest available information.

The CSSB logo<sup>®</sup> ("C" with shingles/shakes), Blue Label<sup>®</sup>, Certigrade<sup>®</sup>, Certigroove<sup>®</sup>, Certi-Cut<sup>®</sup>, Certi-Guard<sup>®</sup>, Certi-Last<sup>®</sup>, Certi-Ridge<sup>®</sup>, Certi-Sawn<sup>®</sup>, Certi-Split<sup>®</sup>, and EnviroSMART<sup>®</sup> are registered trademarks of the Cedar Shake & Shingle Bureau.

Certi-label<sup>™</sup> and other marks appearing in this manual are trademarks of the Cedar Shake & Shingle Bureau.

**Please Note:**

Length measurements have been rounded to the nearest millimeter.

Area measurements have been rounded to 100th of a square meter.