

Figure 14a: Skylight Flashing

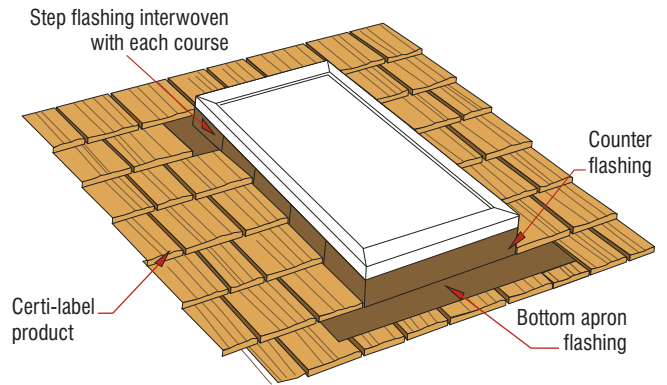
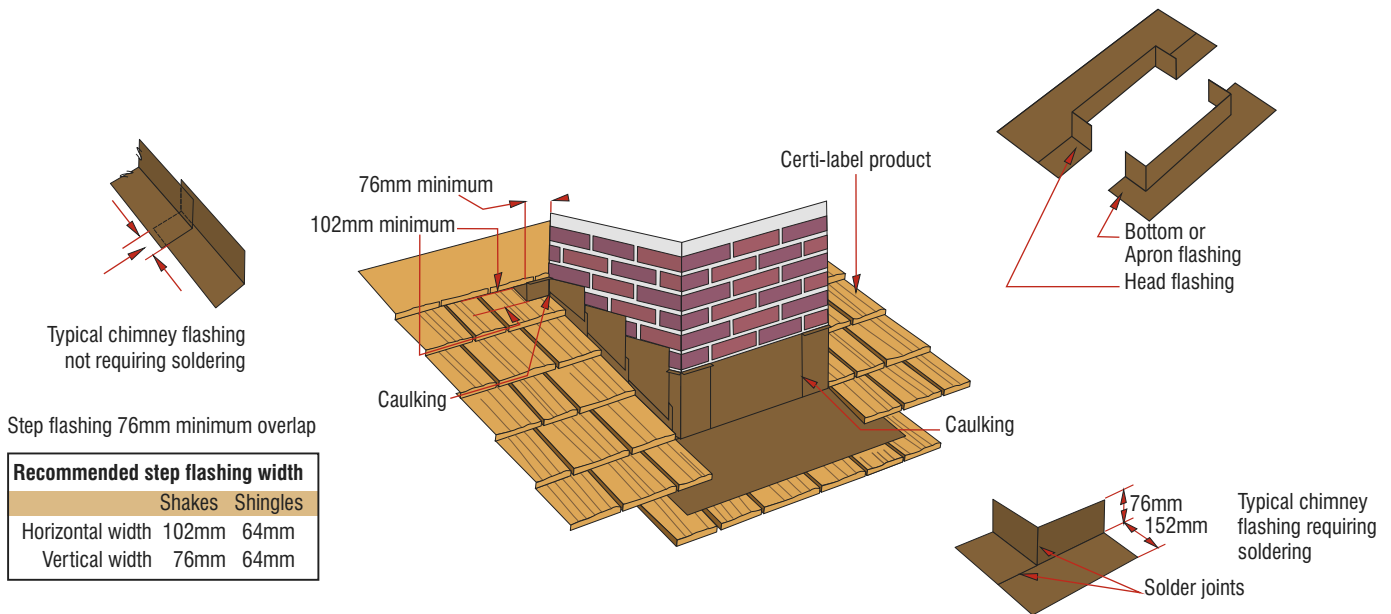


Figure 14b: Skylight Installation



Recommended step flashing width	
Shakes	Shingles
Horizontal width 102mm	64mm
Vertical width 76mm	64mm

Figure 14c: Typical Projection Flashing

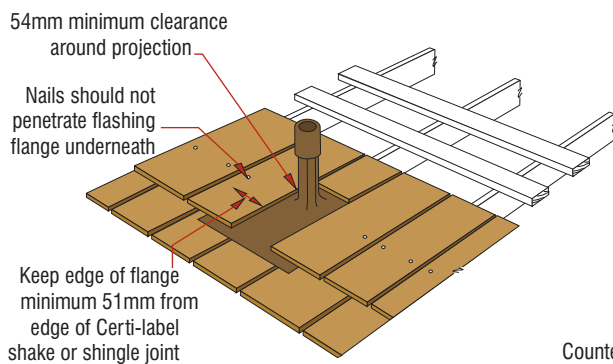


Figure 14d: Typical Projection Flashing

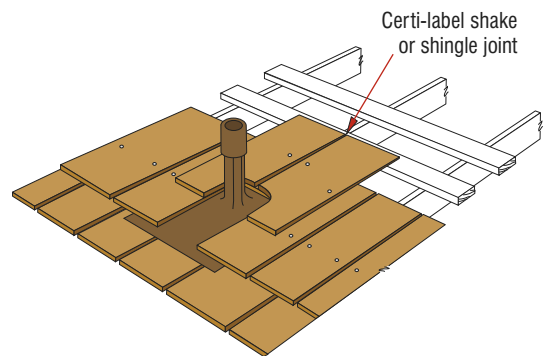
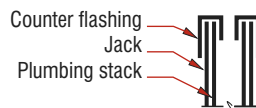


Figure 14e: Typical Projection Flashing



Figures 14a-14e: Flashing Details for Typical Roof Projections