

Figure 14a: Skylight Flashing

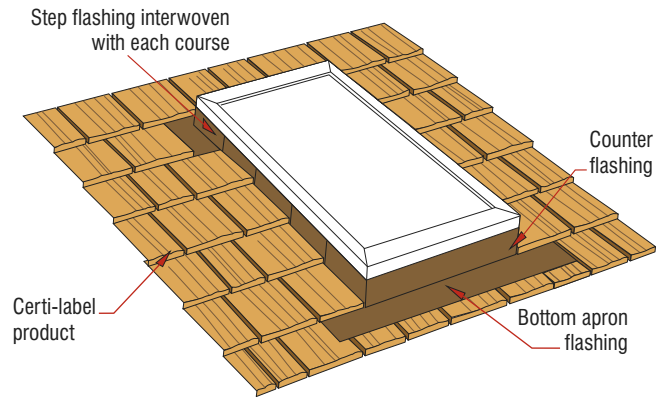
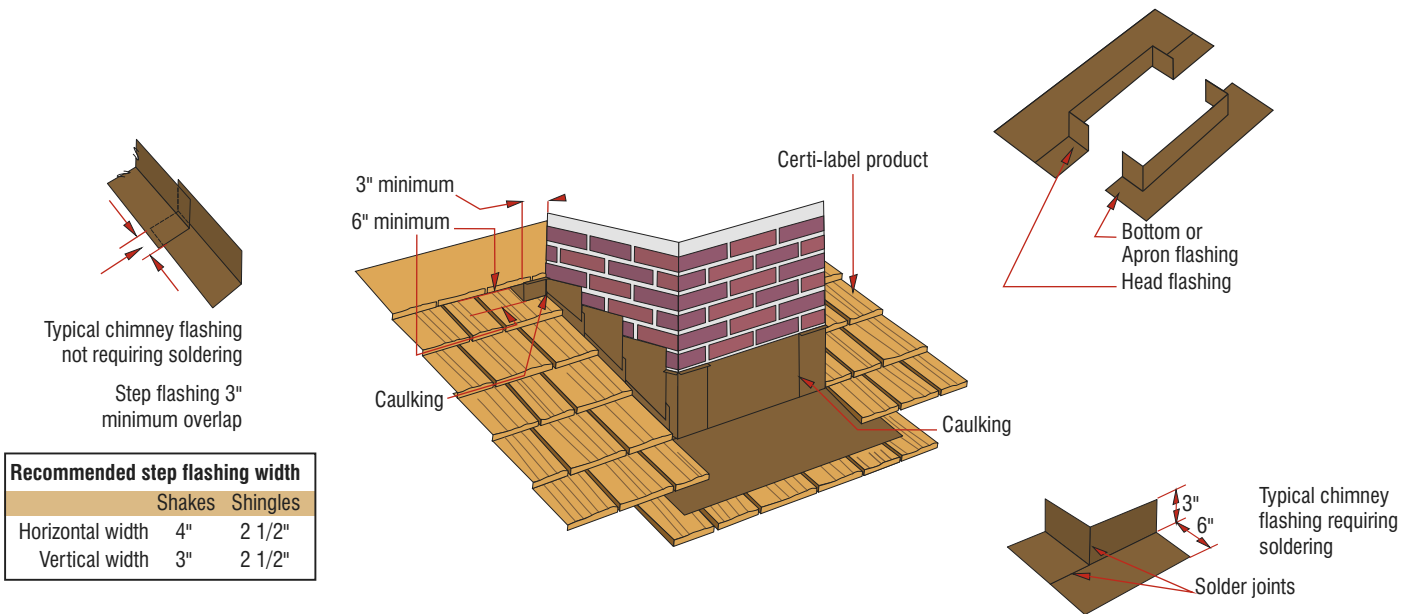


Figure 14b: Skylight Installation



Recommended step flashing width		
	Shakes	Shingles
Horizontal width	4"	2 1/2"
Vertical width	3"	2 1/2"

Figure 14c: Typical Projection Flashing

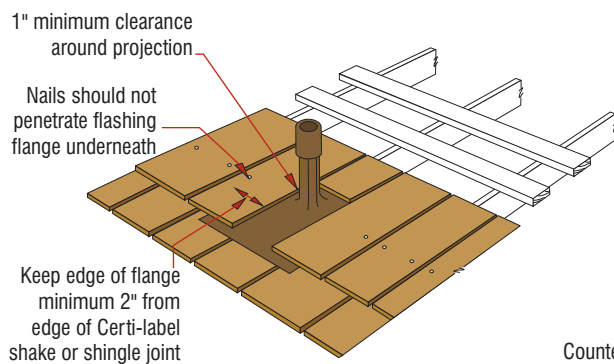


Figure 14d: Typical Projection Flashing

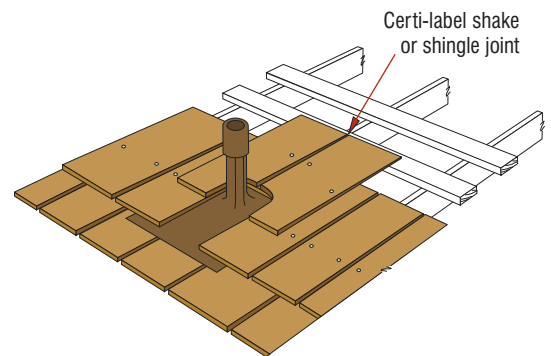
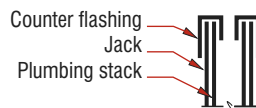


Figure 14e: Typical Projection Flashing



Figures 14a-14e: Flashing Details for Typical Roof Projections